

IZJAVA O LASTNOSTIH  
DoP Nr. MKT-311 - sl

1. Enotna identifikacijska oznaka tipa proizvoda: **MKT Injektionssystem VMZ & VMZ-IG**
2. Tip, serijska ali zaporedna številka ali kateri koli drug element, na podlagi katerega je mogoče prepoznati gradbene proizvode, v skladu s členom 11(4):

**ETA-04/0092, dodatek A3, A5**  
**Serijska številka je odtisnjena na nalepki ali embalaži**

3. Predvidena uporaba ali predvidene vrste uporabe gradbenega proizvoda v skladu z veljavno harmonizirano tehnično specifikacijo, kot jih predvideva proizvajalec:

<b>generični tip</b>	Navor nadzorom vezanega sidro
<b>za uporabo v</b>	Beton z razpokami in brez razpok C20/25 - C50/60 (EN 206)
<b>opcija / kategorija</b>	1
<b>obremenitev</b>	Statično ali skoraj statično, seismic, Kategorija C1+C2 (velikosti: VMZ: M10, M12, M16, M20, M24)
<b>material</b>	<p><u>vroče cinkano jeklo ali difuzija pocinkane jeklo:</u> samo pod pogoji suhe notranjosti velikosti: VMZ: M8, M10, M12, M16, M20, M24</p> <p><u>difuzija pocinkane jeklo:</u> samo pod pogoji suhe notranjosti velikosti: VMZ-IG: M6, M8, M10, M12, M16, M20</p> <p><u>pocinkano jeklo:</u> samo pod pogoji suhe notranjosti velikosti: VMZ: M8, M10, M12, M16, M20, M24 VMZ-IG: M6, M8, M10, M12, M16, M20</p> <p><u>nerjaveče jeklo (oznaka A4):</u> notranja in zunanja uporaba brez posebnih agresivnih pogojev velikosti: VMZ: M8, M10, M12, M16, M20, M24 VMZ-IG: M6, M8, M10, M12, M16, M20</p> <p><u>zelo korozijsko odporno jeklo (oznaka HCR)</u> notranja in zunanja uporaba pod agresivnimi pogoji velikosti: VMZ: M8, M10, M12, M16, M20, M24 VMZ-IG: M6, M8, M10, M12, M16, M20</p>
<b>temperaturno območje</b>	območje I: -40 °C - +80 °C območje II: -40 °C - +120 °C

4. Ime, registrirano trgovsko ime ali registrirana blagovna znamka in naslov proizvajalca v skladu s členom 11(5):

**MKT Metall-Kunststoff-Technik GmbH & Co. KG**  
**Auf dem Immel 2**  
**D - 67685 Weilerbach**

5. Po potrebi ime ali naslov pooblaščenega zastopnika, katerega pooblastilo zajema naloge, opredeljene v členu 12(2): --
6. Sistem ali sistemi ocenjevanja in preverjanja nespremenljivosti lastnosti gradbenega proizvoda, kot je določeno v Prilogi V: **sistem 1**

7. Za izjavo o lastnostih glede gradbenega proizvoda, za katerega velja harmoniziran standard:

--

8. Za izjavo o lastnostih glede gradbenega proizvoda, za katerega je bila izdana evropska tehnična ocena:

**Deutsches Institut für Bautechnik, Berlin**

izdal:

**ETA-04/0092**

na podlagi

**ETAG 001-5**

Prijavljeni proizvod certifikacijski organ 1343-CPR je treba uvesti v sistem 1:

- i) določitev tipa proizvoda na podlagi preskušanja tipa (vključno z vzorčenjem), izračuna tipa, vrednosti iz preglednice ali opisne dokumentacije proizvoda;
- ii) začetnega pregleda proizvodnega obrata in tovarniške kontrole proizvodnje;
- iii) stalnega nadzora, ocenjevanja in vrednotenja tovarniške kontrole proizvodnje.

in izdal: Potrdilo o nespremenljivosti lastnosti 1343-CPR-M 550-4

9. Navedena lastnost:

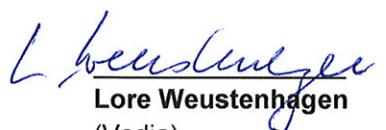
Bistvene značilnosti	Metoda ocenjevanja	Lastnost		Harmonizirane tehnične specifikacije
		VMZ-A	VMZ-IG	
charakteristická únosnosť v ľahu	ETAG 001, dodatek C CEN/TS 1992-4	dodatek C1-C3	dodatek C10, C11	ETAG 001
charakteristická únosnosť v šmyku	ETAG 001, dodatek C CEN/TS 1992-4	dodatek C4, C5	dodatek C12	
charakteristická únosnosť v seizmične obremenitve	TR 045	dodatek C6, C7	--	
odstopanja v dovoljenih mejah uporabnosti	ETAG 001, dodatek C CEN/TS 1992-4	dodatek C8, C9	dodatek C12	

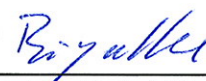
Zahteve, ki jih izpolnjuje produkt, kadar se je v skladu s členoma 37 in 38 uporabila specifična tehnična dokumentacija: --

10. Lastnosti proizvoda, navedenega v točki 1 in 2, so v skladu z navedenimi lastnostmi iz točke 9.

Za izdajo te izjave o lastnostih je odgovoren izključno proizvajalec, naveden v točki 4:

Podpisal za in v imenu proizvajalca:

  
**Lore Weustenhagen**  
(Vodja)  
**Weilerbach, 22.04.2015**

i.V.   
**Dipl.-Ing. Detlef Bigalke**  
(Vodja razvoja izdelkov)



**Table C1:** Characteristic values for **tension loads, VMZ-A M8 – M12,**  
**cracked concrete,** static and quasi-static action  
(Design method A according to ETAG 001, Annex C or CEN/TS 1992-4)

Anchor size VMZ-A			40 M8	50 M8	60 M10	75 M10	75 M12	70 M12	80 M12	95 M12	100 M12	110 M12	125 M12
Installation safety factor	$\gamma_2 = \gamma_{inst}$	[-]	1,0										
<b>Steel failure</b>													
Characteristic tension resistance $N_{Rk,s}$	Steel, zinc plated	[kN]	15	18	25	35	49	54	57				
	A4, HCR	[kN]	15	18	25	35	49	54	57				
Partial safety factor	$\gamma_{Ms}$	[-]	1,5										
<b>Pull-out</b>													
Characteristic resistance $N_{Rk,p}$ in concrete C20/25	50 °C / 80 °C <sup>2)</sup>	[kN]	1)										
	72 °C / 120 °C <sup>2)</sup>	[kN]	5	7,5	12	12	12	16	20	20	30	30	30
Increasing factor	$\psi_c$	[-]	$\left(\frac{f_{ck,cube}}{25}\right)^{0,5}$										
<b>Concrete cone failure</b>													
Effective anchorage depth	$h_{ef} \geq$	[mm]	40	50	60	75	75	70	80	95	100	110	125
Factor acc. to CEN/TS 1992-4	$k_{cr}$	[-]	7,2										

<sup>1)</sup> Pull-out failure is not decisive

<sup>2)</sup> Maximum long term temperature / Maximum short term temperature

**Table C2:** Characteristic values for **tension loads, VMZ-A M16 – M24,**  
**cracked concrete,** static and quasi-static action  
(Design method A according to ETAG 001, Annex C or CEN/TS 1992-4)

Anchor size VMZ-A			90 M16	105 M16	125 M16	145 M16	160 M16	115 M20	170 M20 (LG)	190 M20 (LG)	170 M24 (LG)	200 M24 (LG)	225 M24 (LG)
Installation safety factor	$\gamma_2 = \gamma_{inst}$	[-]	1,0										
<b>Steel failure</b>													
Characteristic tension resistance $N_{Rk,s}$	Steel, zinc plated	[kN]	88	95	111	97	96	188			222		
	A4, HCR	[kN]	88	95	111	97	114	165			194		
Partial safety factor	$\gamma_{Ms}$	[-]	1,5				1,68	1,5			1,5		
<b>Pull-out</b>													
Characteristic resistance $N_{Rk,p}$ in concrete C20/25	50 °C / 80 °C <sup>2)</sup>	[kN]	1)										
	72 °C / 120 °C <sup>2)</sup>	[kN]	25	30	50	51	30	60			75		
Increasing factor	$\psi_c$	[-]	$\left(\frac{f_{ck,cube}}{25}\right)^{0,5}$										
<b>Concrete cone failure</b>													
Effective anchorage depth	$h_{ef} \geq$	[mm]	90	105	125	145	160	115	170	190	170	200	225
Factor acc. to CEN/TS 1992-4	$k_{cr}$	[-]	7,2										

<sup>1)</sup> Pull-out failure is not decisive

<sup>2)</sup> Maximum long term temperature / Maximum short term temperature

### Injection System VMZ

#### Performance

Characteristic values for **tension loads, VMZ-A in cracked concrete,** static and quasi-static action  
(Design method A according to ETAG 001, Annex C or CEN/TS 1992-4)

**Annex C1**

**Table C3: Characteristic values for tension loads, VMZ-A M8 – M12 in non-cracked concrete, static and quasi-static action**  
(Design method A according to ETAG 001, Annex C or CEN/TS 1992-4)

Anchor size VMZ-A			40 M8	50 M8	60 M10	75 M10	75 M12	70 M12	80 M12	95 M12	100 M12	110 M12	125 M12
Installation safety factor	$\gamma_2 = \gamma_{inst}$	[-]	1,0										
<b>Steel failure</b>													
Characteristic tension resistance $N_{Rk,s}$	Steel, zinc plated	[kN]	15	18	25	35	49	54	57				
	A4, HCR	[kN]	15	18	25	35	49	54	57				
Partial safety factor	$\gamma_{Ms}$	[-]	1,5										
<b>Pull-out</b>													
Characteristic resistance $N_{Rk,p}$ in non-cracked concrete C20/25	50 °C / 80 °C <sup>2)</sup>	[kN]	9	1) <sup>1)</sup>	1) <sup>1)</sup>	1) <sup>1)</sup>			40	1) <sup>1)</sup>	50	50	
	72 °C / 120 °C <sup>2)</sup>	[kN]	6	9	16	16	16	25	25	30	30	30	
<b>Splitting</b>													
Splitting for <b>standard thickness of concrete member</b> (The higher resistance of Case 1 and Case 2 may be applied.)													
Standard thickness of concrete	$h_{std} \geq 2 h_{ef}$	[mm]	100	120	150	150	140	160	190	200	220	250	
<b>Case 1</b> ( $N_{Rk,c}^0$ has to be replaced by $N_{Rk,sp}^0$ )													
Characteristic resistance in non-cracked concrete C20/25	$N_{Rk,sp}^0$	[kN]	7,5	9	16	20	20	20	1) <sup>1)</sup>	30	40	40	40
Spacing (edge distance)	$S_{cr,sp} (= 2 C_{cr,sp})$	[mm]	3 $h_{ef}$										
<b>Case 2</b>													
Spacing (edge distance)	$S_{cr,sp} (= 2 C_{cr,sp})$	[mm]	6 $h_{ef}$	5 $h_{ef}$	7 $h_{ef}$	7 $h_{ef}$	5 $h_{ef}$	3 $h_{ef}$	5 $h_{ef}$	4 $h_{ef}$	6 $h_{ef}$	5 $h_{ef}$	
Splitting for <b>minimum thickness of concrete member</b> (The higher resistance of Case 1 and Case 2 may be applied.)													
Minimum thickness of concrete	$h_{min} \geq$	[mm]	80	100	110	110	110	125	130	140	160		
<b>Case 1</b> ( $N_{Rk,c}^0$ has to be replaced by $N_{Rk,sp}^0$ )													
Characteristic resistance in non-cracked concrete C20/25	$N_{Rk,sp}^0$	[kN]	7,5	-	16	16	20	25	25	30	30	30	
Spacing (edge distance)	$S_{cr,sp} (= 2 C_{cr,sp})$	[mm]	3 $h_{ef}$	-	3 $h_{ef}$	3 $h_{ef}$							
<b>Case 2</b>													
Spacing (edge distance)	$S_{cr,sp} (= 2 C_{cr,sp})$	[mm]	6 $h_{ef}$	7 $h_{ef}$	6 $h_{ef}$	7 $h_{ef}$	7 $h_{ef}$	7 $h_{ef}$	6 $h_{ef}$	7 $h_{ef}$	6 $h_{ef}$	6 $h_{ef}$	6 $h_{ef}$
Increasing factor for $N_{Rk,p}$ and $N_{Rk,sp}^0$	$\psi_C$	[-]	$\left(\frac{f_{ck,cube}}{25}\right)^{0,5}$										
<b>Concrete cone failure</b>													
Effective anchorage depth	$h_{ef} \geq$	[mm]	40	50	60	75	75	70	80	95	100	110	125
Factor acc. to CEN/TS 1992-4	$k_{ucr}$	[-]	10,1										

<sup>1)</sup> Pull-out failure is not decisive

<sup>2)</sup> Maximum long term temperature / Maximum short term temperature

### Injection System VMZ

#### Performance

Characteristic values for **tension loads, VMZ-A M8 – M12, non-cracked concrete**, static and quasi-static action  
(Design method A according to ETAG 001, Annex C or CEN/TS 1992-4)

**Annex C2**

**Table C4: Characteristic values for tension loads, VMZ-A M16 – M24, non-cracked concrete, static and quasi-static action, (Design method A according to ETAG 001, Annex C or CEN/TS 1992-4)**

Anchor size VMZ-A		90 M16	105 M16	125 M16	145 M16	160 M16	115 M20	170 M20 (LG)	190 M20 (LG)	170 M24 (LG)	200 M24 (LG)	225 M24 (LG)	
Installation safety factor	$\gamma_2 = \gamma_{inst}$ [-]	1,0											
<b>Steel failure</b>													
Characteristic tension resistance $N_{Rk,s}$	Steel, zinc plated	[kN]	88	95	111	111	97	96	188	188	222	222	222
	A4, HCR	[kN]	88	95	111	111	97	114	165	165	194	194	194
Partial safety factor	$\gamma_{Ms}$ [-]	1,5					1,68	1,5		1,5			
<b>Pull-out</b>													
Characteristic resistance $N_{Rk,p}$ in non-cracked concrete C20/25	50 °C / 80 °C <sup>2)</sup>	[kN]	1)			75	90	1)			1)		
	72 °C / 120 °C <sup>2)</sup>	[kN]	25	35	50	50	53	40	75	75	95	95	95
<b>Splitting</b>													
Splitting for <b>standard thickness of concrete</b> (The higher resistance of Case 1 and Case 2 may be applied.)													
Standard thickness of concrete	$h_{std} \geq 2 h_{ef}$	[mm]	180	200	250	290	320	230	340	380	340	400	450
<b>Case 1</b> ( $N_{Rk,c}^0$ has to be replaced by $N_{Rk,sp}^0$ )													
Characteristic resistance in non-cracked concrete C20/25	$N_{Rk,sp}^0$	[kN]	40	50	50	60	80	1)		115	1)		140
Spacing (edge distance)	$s_{cr,sp} (= 2 C_{cr,sp})$	[mm]	3 $h_{ef}$										
<b>Case 2</b>													
Spacing (edge distance)	$s_{cr,sp} (= 2 C_{cr,sp})$	[mm]	4 $h_{ef}$	4 $h_{ef}$	4 $h_{ef}$	4 $h_{ef}$	4 $h_{ef}$	3 $h_{ef}$	3 $h_{ef}$	4 $h_{ef}$	3 $h_{ef}$	3 $h_{ef}$	3,6 $h_{ef}$
Splitting for <b>minimum thickness of concrete</b> (The higher resistance of Case 1 and Case 2 may be applied.)													
Minimum thickness of concrete	$h_{min} \geq$	[mm]	130	150	160	180	200	160	220	240	220	260	290
<b>Case 1</b> ( $N_{Rk,c}^0$ has to be replaced by $N_{Rk,sp}^0$ )													
Characteristic resistance in non-cracked concrete C20/25	$N_{Rk,sp}^0$	[kN]	35	50	40	50	71	-	75	75	1)		115
Spacing (edge distance)	$s_{cr,sp} (= 2 C_{cr,sp})$	[mm]	3 $h_{ef}$										
<b>Case 2</b>													
Spacing (edge distance)	$s_{cr,sp} (= 2 C_{cr,sp})$	[mm]	5 $h_{ef}$	5 $h_{ef}$	6 $h_{ef}$	5 $h_{ef}$	5 $h_{ef}$	5 $h_{ef}$	5,2 $h_{ef}$	4,4 $h_{ef}$	5,2 $h_{ef}$	4,4 $h_{ef}$	4,4 $h_{ef}$
Increasing factor for $N_{Rk,p}$ and $N_{Rk,sp}^0$	$\psi_C$	[-]	$\left(\frac{f_{ck,cube}}{25}\right)^{0,5}$										
<b>Concrete cone failure</b>													
Effective anchorage depth	$h_{ef} \geq$	[mm]	90	105	125	145	160	115	170	190	170	200	225
Factor acc. to CEN/TS 1992-4	$k_{ucr}$	[-]	10,1										

<sup>1)</sup> Pull-out failure is not decisive

<sup>2)</sup> Maximum long term temperature / Maximum short term temperature

### Injection System VMZ

#### Performance

Characteristic values for **tension loads, VMZ-A M16 – M24, non-cracked concrete, static and quasi-static action, (Design method A according to ETAG 001, Annex C or CEN/TS 1992-4)**

**Annex C3**

**Table C5:** Characteristic values for **shear load, VMZ-A M8 – M12, cracked and non-cracked concrete**, static and quasi-static action  
(Design method A according to ETAG 001, Annex C or CEN/TS 1992-4)

Anchor size VMZ-A			40 M8	50 M8	60 M10	75 M10	75 M12	70 M12	80 M12	95 M12	100 M12	110 M12	125 M12
Installation safety factor	$\gamma_2 = \gamma_{inst}$	[-]	1,0										
<b>Steel failure without lever arm</b>													
Characteristic shear resistance $V_{Rk,s}$	Steel, zinc plated	[kN]	14	21	34								
	A4, HCR	[kN]	15	23	34								
Partial safety factor	$\gamma_{Ms}$	[-]	1,25										
Factor for ductility	$k_2$	[-]	1,0										
<b>Steel failure with lever arm</b>													
Characteristic bending moments $M^0_{Rk,s}$	Steel, zinc plated	[Nm]	30	60	105								
	A4, HCR	[Nm]	30	60	105								
Partial safety factor	$\gamma_{Ms}$	[-]	1,25										
<b>Concrete pry-out failure</b>													
Factor k acc ETAG 001, Annex C or $k_3$ acc. CEN/TS 1992-4	$k_{(3)}$	[-]	2										
<b>Concrete edge failure</b>													
Effective length of anchor in shear load	$l_f$	[mm]	40	50	60	75	75	70	80	95	100	110	125
Diameter of anchor	$d_{nom}$	[mm]	10	12	12	14							

### Injection System VMZ

#### Performance

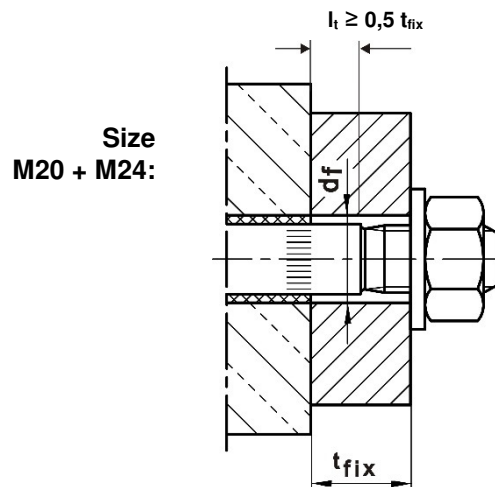
Characteristic values for **shear load, VMZ-A M8 – M12, cracked and non-cracked concrete**, static and quasi-static action  
(Design method A according to ETAG 001, Annex C or CEN/TS 1992-4)

**Annex C4**

**Table C6:** Characteristic values for **shear load, VMZ-A M16 – M24, cracked and non-cracked concrete**, static and quasi-static action  
(Design method A according to ETAG 001, Annex C or CEN/TS 1992-4)

Anchor size VMZ-A		90 M16	105 M16	125 M16	145 M16	160 M16	115 M20	170 M20 (LG)	190 M20 (LG)	170 M24 (LG)	200 M24 (LG)	225 M24 (LG)
Installation safety factor	$\gamma_2 = \gamma_{inst}$ [-]	1,0										
<b>Steel failure without lever arm</b>												
Characteristic shear resistance	Steel, zinc plated [kN]	63					70	149 <sup>1)</sup> (98)		178 <sup>1)</sup> (141)		
$V_{Rk,s}$	A4, HCR [kN]	63					86	131 <sup>1)</sup> (86)		156 <sup>1)</sup> (123)		
Partial safety factor	$\gamma_{Ms}$ [-]	1,25					1,4	1,25		1,25		
Factor for ductility	$k_2$ [-]	1,0										
<b>Steel failure with lever arm</b>												
Characteristic bending moments	Steel, zinc plated [Nm]	266					392	519		896		
$M^0_{Rk,s}$	A4, HCR [Nm]	266					454		784			
Partial safety factor	$\gamma_{Ms}$ [-]	1,25					1,4	1,25		1,25		
<b>Concrete pry-out failure</b>												
Factor k acc ETAG 001, Annex C or $k_3$ acc. CEN/TS 1992-4	$k_{(3)}$ [-]	2										
<b>Concrete edge failure</b>												
Effective length of anchor in shear load	$l_f$ [mm]	90	105	125	145	160	115	170	190	170	200	225
Diameter of anchor	$d_{nom}$ [mm]	18					22	24		26		

<sup>1)</sup> This value may only be applied if  $l_f \geq 0,5 t_{fix}$



**Injection System VMZ**

**Performance**

Characteristic values for **shear load, VMZ-A M16 – M24, cracked and non-cracked concrete**, static and quasi-static action  
(Design method A according to ETAG 001, Annex C or CEN/TS 1992-4)

**Annex C5**

**Table C7:** Characteristic resistances for **seismic tension loading**  
**VMZ-A M10 – M12** performance category **C1** and **C2**  
(Design according to EOTA Technical Report TR045)

Anchor size VMZ-A			60 M10	75 M10	75 M12	70 M12	80 M12	95 M12	100 M12	110 M12	125 M12
Installation safety factor	$\gamma_2 = \gamma_{inst}$	[-]	1,0								
<b>Steel failure, steel zinc plated</b>											
Characteristic resistance <b>C1</b>	$N_{Rk,s,seis,C1}$	[kN]	25	35	49		54			57	
Characteristic resistance <b>C2</b>	$N_{Rk,s,seis,C2}$	[kN]	25	35	49		54			57	
<b>Steel failure, stainless steel A4, HCR</b>											
Characteristic resistance <b>C1</b>	$N_{Rk,s,seis,C1}$	[kN]	25	35	49		54			57	
Characteristic resistance <b>C2</b>	$N_{Rk,s,seis,C2}$	[kN]	25	35	49		54			57	
Partial safety factor	$\gamma_{Ms,seis}$	[-]	1,5								
<b>Pull-out</b>											
Characteristic resistance <b>C1</b>	$N_{Rk,p,seis,C1}$	50 °C / 80 °C <sup>1)</sup>	[kN]	14,5		14,5				30,6	
		72 °C / 120 °C <sup>1)</sup>	[kN]	10,9		10,9				20,0	
Characteristic resistance <b>C2</b>	$N_{Rk,p,seis,C2}$	50 °C / 80 °C <sup>1)</sup>	[kN]	7,4		7,4				8,7	
		72 °C / 120 °C <sup>1)</sup>	[kN]	5,1		5,1				6,5	

**Table C8:** Characteristic resistances for **seismic tension loading**  
**VMZ-A M16 – M24** performance category **C1** and **C2**  
(Design according to EOTA Technical Report TR045)

Anchor size VMZ-A			90 M16	105 M16	125 M16	145 M16	160 M16	115 M20	170 M20 (LG)	190 M20 (LG)	170 M24 (LG)	200 M24 (LG)	225 M24 (LG)
Installation safety factor	$\gamma_2 = \gamma_{inst}$	[-]	1,0										
<b>Steel failure, steel zinc plated</b>													
Characteristic resistance <b>C1</b>	$N_{Rk,s,seis,C1}$	[kN]	88	95	111		97	96	188			222	
Characteristic resistance <b>C2</b>	$N_{Rk,s,seis,C2}$	[kN]	88	95	111		97	96	188			222	
<b>Steel failure, stainless steel A4, HCR</b>													
Characteristic resistance <b>C1</b>	$N_{Rk,s,seis,C1}$	[kN]	88	95	111		97	114	165			194	
Characteristic resistance <b>C2</b>	$N_{Rk,s,seis,C2}$	[kN]	88	95	111		97	114	165			194	
Partial safety factor	$\gamma_{Ms,seis}$	[-]	1,5					1,68	1,5			1,5	
<b>Pull-out</b>													
Characteristic resistance <b>C1</b>	$N_{Rk,p,seis,C1}$	50 °C / 80 °C <sup>1)</sup>	[kN]	30,6		43,7		30,6	88,2			90,7	
		72 °C / 120 °C <sup>1)</sup>	[kN]	20,0		38,5		20,0	55,8			59,3	
Characteristic resistance <b>C2</b>	$N_{Rk,p,seis,C2}$	50 °C / 80 °C <sup>1)</sup>	[kN]	13,5	16,1	26,1		16,1	59,7			59,7	
		72 °C / 120 °C <sup>1)</sup>	[kN]	10,0	12,0	19,5		11,0	44,4			44,4	

<sup>1)</sup> Maximum long term temperature / Maximum short term temperature

<b>Injection System VMZ</b>	<b>Annex C6</b>
<b>Performance</b> Characteristic resistances for <b>seismic tension loading, VMZ-A</b> , performance category <b>C1</b> and <b>C2</b> (Design according to TR045)	



**Table C9:** Characteristic resistances for **seismic shear loading**  
**VMZ-A M10 – M12** performance category **C1** and **C2**  
(Design according to EOTA Technical Report TR045)

Anchor size VMZ-A			60 M10	75 M10	75 M12	70 M12	80 M12	95 M12	100 M12	110 M12	125 M12
Installation safety factor	$\gamma_2 = \gamma_{inst}$	[-]	1,0								
<b>Steel failure without lever arm, steel zinc plated</b>											
Characteristic resistance <b>C1</b>	$V_{Rk,s,seis,C1}$	[kN]	11,8	27,2							
Characteristic resistance <b>C2</b>	$V_{Rk,s,seis,C2}$	[kN]	12,6	27,2							
Partial safety factor	$\gamma_{Ms,seis}$	[-]	1,25								
<b>Steel failure without lever arm, stainless steel A4, HCR</b>											
Characteristic resistance <b>C1</b>	$V_{Rk,s,seis,C1}$	[kN]	12,9	27,2							
Characteristic resistance <b>C2</b>	$V_{Rk,s,seis,C2}$	[kN]	13,8	27,2							
Partial safety factor	$\gamma_{Ms,seis}$	[-]	1,25								
<b>Steel failure with lever arm</b>											
Characteristic bending moment <b>C1</b>	$M^0_{Rk,s,seis,C1}$	[Nm]	no performance determined								
Characteristic bending moment <b>C2</b>	$M^0_{Rk,s,seis,C2}$	[Nm]	no performance determined								

**Table C10:** Characteristic resistances for **seismic shear loading**  
**VMZ-A M16 – M24** performance category **C1** and **C2**  
(Design according to EOTA Technical Report TR045)

Anchor size VMZ-A			90 M16	105 M16	125 M16	145 M16	160 M16	115 M20	170 M20 (LG)	190 M20 (LG)	170 M24 (LG)	200 M24 (LG)	225 M24 (LG)
Installation safety factor	$\gamma_2 = \gamma_{inst}$	[-]	1,0										
<b>Steel failure without lever arm, steel zinc plated</b>													
Characteristic resistance <b>C1</b>	$V_{Rk,s,seis,C1}$	[kN]	39,1			39,1	82,3		107				
Characteristic resistance <b>C2</b>	$V_{Rk,s,seis,C2}$	[kN]	50,4			51,0	108,8 <sup>1)</sup> (71,5)		154,9 <sup>1)</sup> (122,7)				
Partial safety factor	$\gamma_{Ms,seis}$	[-]	1,25			1,4	1,25		1,25				
<b>Steel failure without lever arm, stainless steel A4, HCR</b>													
Characteristic resistance <b>C1</b>	$V_{Rk,s,seis,C1}$	[kN]	39,1			39,1	72,2		93				
Characteristic resistance <b>C2</b>	$V_{Rk,s,seis,C2}$	[kN]	50,4			62,6	95,6 <sup>1)</sup> (62,8)		135,7 <sup>1)</sup> (107)				
Partial safety factor	$\gamma_{Ms,seis}$	[-]	1,25			1,4	1,25		1,25				
<b>Steel failure with lever arm</b>													
Characteristic bending moment <b>C1</b>	$M^0_{Rk,s,seis,C1}$	[Nm]	no performance determined										
Characteristic bending moment <b>C2</b>	$M^0_{Rk,s,seis,C2}$	[Nm]	no performance determined										

<sup>1)</sup> This value may only be applied if  $l_t \geq 0,5 t_{fix}$ , (see Annex C5)

**Injection System VMZ**

**Performance**

Characteristic resistances for **seismic shear loading, VMZ-A**, performance category **C1** and **C2** (Design according to TR045)

**Annex C7**

**Table C11: Displacements under tension loads, VMZ-A M8 – M12**

Anchor size VMZ-A			40 M8	50 M8	60 M10	75 M10	75 M12	70 M12	80 M12	95 M12	100 M12	110 M12	125 M12
Tension load in cracked concrete	N	[kN]	4,3	6,1	8,0	11,1	11,1	10,0	12,3	15,9	17,1	19,8	24,0
Displacement	$\delta_{N0}$	[mm]	0,5	0,5	0,5	0,6	0,6	0,6	0,6	0,6	0,6	0,7	0,7
	$\delta_{N\infty}$	[mm]	1,3										
Tension load in non-cracked concrete	N	[kN]	4,3	8,5	11,1	15,6	15,6	14,1	17,2	19,0	24,0	23,8	23,8
Displacement	$\delta_{N0}$	[mm]	0,2	0,4	0,4	0,4	0,4	0,4	0,4	0,4	0,4	0,6	0,6
	$\delta_{N\infty}$	[mm]	1,3										
Displacements under seismic tension loads <b>C2</b>													
Displacements for DLS	$\delta_{N,seis,C2(DLS)}$	[mm]	-	-	1,0		1,0				1,3		
Displacements for ULS	$\delta_{N,seis,C2(ULS)}$	[mm]	-	-	3,0		3,0				3,9		

**Table C12: Displacements under tension loads, VMZ-A M16 – M24**

Anchor size VMZ-A			90 M16	105 M16	125 M16	145 M16	160 M16	115 M20	170 M20 (LG)	190 M20 (LG)	170 M24 (LG)	200 M24 (LG)	225 M24 (LG)
Tension load in cracked concrete	N	[kN]	14,6	18,4	24,0	30,0	34,7	21,1	38,0	44,9	38,0	48,5	57,9
Displacement	$\delta_{N0}$	[mm]	0,7	0,7	0,7	0,8	1,2	0,7	0,8	0,8	0,8	0,9	0,9
	$\delta_{N\infty}$	[mm]	1,3				1,6	1,1	1,3		1,3		
Tension load in non-cracked concrete	N	[kN]	20,5	25,9	33,0	35,7	48,1	29,6	53,3	63,0	53,3	67,9	81,1
Displacement	$\delta_{N0}$	[mm]	0,6	0,6	0,6	0,6	0,8	0,5	0,6	0,6	0,6	0,6	0,6
	$\delta_{N\infty}$	[mm]	1,3				1,6	1,1	1,3		1,3		
Displacements under seismic tension loads <b>C2</b>													
Displacements for DLS	$\delta_{N,seis,C2(DLS)}$	[mm]	1,5						1,9		1,9		
Displacements for ULS	$\delta_{N,seis,C2(ULS)}$	[mm]	4,4						4,5		4,5		

**Injection System VMZ**

**Performance**

Displacements under tension loads, **VMZ-A**

**Annex C8**

**Table C13: Displacements under shear loads VMZ-A M8 – M12**

Anchor size VMZ-A			40 M8	50 M8	60 M10	75 M10	75 M12	70 M12	80 M12	95 M12	100 M12	110 M12	125 M12
Shear load	V	[kN]	8,3		13,3		19,3						
Displacements	$\delta_{v0}$	[mm]	2,4	2,5	2,9		3,3						
	$\delta_{v\infty}$	[mm]	3,6	3,8	4,4		5,0						
Displacements under seismic shear loads <b>C2</b>													
Displacements for DLS	$\delta_{V,seis,C2(DLS)}$	[mm]	-	-	2,1		2,5						
Displacements for ULS	$\delta_{V,seis,C2(ULS)}$	[mm]	-	-	3,7		5,1						

**Table C14: Displacements under shear loads VMZ-A M16 – M24**

Anchor size VMZ-A			90 M16	105 M16	125 M16	145 M16	160 M16	115 M20	170 M20 (LG)	190 M20 (LG)	170 M24 (LG)	200 M24 (LG)	225 M24 (LG)
Shear load	V	[kN]	36				44		75 (49)		89 (71)		
Displacements	$\delta_{v0}$	[mm]	3,8				3,0		4,3 (3,0)		4,6 (3,5)		
	$\delta_{v\infty}$	[mm]	5,7				4,5		6,5 (4,5)		6,9 (5,3)		
Displacements under seismic shear loads <b>C2</b>													
Displacements for DLS	$\delta_{V,seis,C2(DLS)}$	[mm]	2,9				3,5		3,7				
Displacements for ULS	$\delta_{V,seis,C2(ULS)}$	[mm]	6,8				9,3		9,3				

**Injection System VMZ**

**Performance**  
Displacements under shear loads, **VMZ-A**

**Annex C9**

**Table C15: Characteristic values for tension load, VMZ-IG, cracked concrete**  
(Design method A according to ETAG 001, Annex C or CEN/TS 1992-4)

Anchor size <b>VMZ-IG</b>			40 M6	50 M6	60 M8	75 M8	70 M10	80 M10	90 M12	105 M12	125 M12	115 M16	170 M16	170 M20	
Installation safety factor	$\gamma_2 = \gamma_{inst}$	[-]	1,0												
<b>Steel failure</b>															
Characteristic tension resistance $N_{Rk,s}$	Steel, zinc plated	[kN]	15	16	19	29	35			67			52	125	108
	A4, HCR	[kN]	11		19	21	33			47			65	88	94
Partial safety factor	$\gamma_{Ms}$	[-]	1,5												
<b>Pull-out</b>															
Characteristic resistance $N_{Rk,p}$ in cracked concrete C20/25	50 °C / 80 °C <sup>2)</sup>	[kN]	1)												
	72 °C / 120 °C <sup>2)</sup>	[kN]	5	7,5	12		16	20	20	30	50	30	60	75	
Increasing factor	$\psi_c$	[-]	$\left(\frac{f_{ck,cube}}{25}\right)^{0,5}$												
<b>Concrete cone failure</b>															
Effective anchorage depth	$h_{ef}$	[mm]	40	50	60	75	70	80	90	105	125	115	170	170	
Factor acc. to CEN/TS 1992-4	$k_{cr}$	[-]	7,2												

<sup>1)</sup> Pull-out failure is not decisive

<sup>2)</sup> Maximum long term temperature / Maximum short term temperature

**Injection System VMZ**

**Performance**

Characteristic values for tension load, **VMZ-IG**, cracked concrete  
(Design method A according to ETAG 001, Annex C or CEN/TS 1992-4)

**Annex C10**

**Table C16:** Characteristic values for **tension load, VMZ-IG**, non-cracked concrete  
(Design method A according to ETAG 001, Annex C or CEN/TS 1992-4)

Anchor size <b>VMZ-IG</b>			40 M6	50 M6	60 M8	75 M8	70 M10	80 M10	90 M12	105 M12	125 M12	115 M16	170 M16	170 M20	
Installation safety factor	$\gamma_2 = \gamma_{inst}$	[-]	1,0												
<b>Steel failure</b>															
Characteristic tension resistance $N_{Rk,s}$	Steel, zinc plated	[kN]	15	16	19	29	35			67			52	125	108
	A4, HCR	[kN]	11		19	21	33			47			65	88	94
Partial safety factor	$\gamma_{Ms}$	[-]	1,5												
<b>Pull-out</b>															
Characteristic resistance $N_{Rk,p}$ in non-cracked concrete C20/25	50°C / 80°C <sup>2)</sup>	[kN]	9	1)	1)										
	72°C / 120°C <sup>2)</sup>	[kN]	6	9	16		16	25	25	35	50	40	75	95	
<b>Splitting</b>															
<b>Splitting for standard thickness of concrete</b> (The higher resistance of Case 1 and Case 2 may be applied.)															
Standard thickness of concrete	$h_{std} \geq 2h_{ef}$	[mm]	100	120	150	140	160	180	200	250	230	340	340		
<b>Case 1</b> ( $N_{Rk,c}^0$ has to be replaced by $N_{Rk,sp}^0$ )															
Characteristic resistance in concrete C20/25	$N_{Rk,sp}^0$	[kN]	7,5	9	16	20	20	1)	40	50	50	1)	1)		
Spacing (edge distance)	$s_{cr,sp} (= 2 C_{cr,sp})$	[mm]	3 $h_{ef}$												
<b>Case 2</b>															
Spacing (edge distance)	$s_{cr,sp} (= 2 C_{cr,sp})$	[mm]	6 $h_{ef}$	6 $h_{ef}$	5 $h_{ef}$	7 $h_{ef}$	5 $h_{ef}$	3 $h_{ef}$	4 $h_{ef}$	4 $h_{ef}$	4 $h_{ef}$	3 $h_{ef}$	3 $h_{ef}$	3 $h_{ef}$	
<b>Splitting for minimum thickness of concrete</b> (The higher resistance of Case 1 and Case 2 may be applied.)															
Minimum thickness of concrete	$h_{min} \geq$	[mm]	80	100	110	110	130	150	160	160	220	220			
<b>Case 1</b> ( $N_{Rk,c}^0$ has to be replaced by $N_{Rk,sp}^0$ )															
Characteristic resistance in concrete C20/25	$N_{Rk,sp}^0$	[kN]	7,5	-	16	20	25	35	50	40	-	75	1)		
Spacing (edge distance)	$s_{cr,sp} (= 2 C_{cr,sp})$	[mm]	3 $h_{ef}$												
<b>Case 2</b>															
Spacing (edge distance)	$s_{cr,sp} (= 2 C_{cr,sp})$	[mm]	6 $h_{ef}$	7 $h_{ef}$	6 $h_{ef}$	7 $h_{ef}$	7 $h_{ef}$	6 $h_{ef}$	5 $h_{ef}$	5 $h_{ef}$	6 $h_{ef}$	5 $h_{ef}$	5,2 $h_{ef}$	5,2 $h_{ef}$	
Increasing factor for $N_{Rk,p}$ and $N_{Rk,sp}^0$	$\psi_c$	[-]	$\left(\frac{f_{ck,cube}}{25}\right)^{0,5}$												
<b>Concrete cone failure</b>															
Effective anchorage depth	$h_{ef}$	[mm]	40	50	60	75	70	80	90	105	125	115	170	170	
Factor acc. to CEN/TS 1992-4	$k_{ucr}$	[-]	10,1												

<sup>1)</sup> Pull-out failure is not decisive

<sup>2)</sup> Maximum long term temperature / Maximum short term temperature

### Injection System VMZ

#### Performance

Characteristic values for tension loads, **VMZ-IG**, non-cracked concrete  
(Design method A according to ETAG 001, Annex C or CEN/TS 1992-4)

**Annex C11**

**Table C17: Characteristic values for shear load, VMZ-IG , cracked and non-cracked concrete**

(Design method A according to ETAG 001, Annex C or CEN/TS 1992-4)

Anchor size <b>VMZ-IG</b>			40 M6	50 M6	60 M8	75 M8	70 M10	80 M10	90 M12	105 M12	125 M12	115 M16	170 M16	170 M20
Installation safety factor	$\gamma_2 = \gamma_{inst}$	[-]	1,0											
<b>Steel failure without lever arm</b>														
Characteristic shear resistance $V_{Rk,s}$	Steel, zinc plated	[kN]	8,0	9,5	15	18	34			26	63	54		
	A4, HCR	[kN]	5,5	9,5	10	16	24			32	44	47		
Partial safety factor	$\gamma_{Ms}$	[-]	1,25											
Factor for ductility	$k_2$	[-]	1,0											
<b>Steel failure with lever arm</b>														
Characteristic bending moments $M^0_{Rk,s}$	Steel, zinc plated	[kN]	12	30	60	105			212	266	519			
	A4, HCR	[kN]	8,5	21	42	74			187	187	365			
Partial safety factor	$\gamma_{Ms}$	[-]	1,25											
<b>Concrete pry-out failure</b>														
Factor k acc ETAG 001, Annex C or $k_3$ acc. CEN/TS 1992-4	$k_{(3)}$	[-]	2											
<b>Concrete edge failure</b>														
Effective length of anchor in shear load	$l_f$	[mm]	40	50	60	75	70	80	90	105	125	115	170	170
Diameter of anchor	$d_{nom}$	[mm]	10		12		14		18			22	24	26

**Table C18: Displacements under tension loads, VMZ-IG**

Anchor size <b>VMZ-IG</b>			40 M6	50 M6	60 M8	75 M8	70 M10	80 M10	90 M12	105 M12	125 M12	115 M16	170 M16	170 M20	
Tension load in <b>cracked</b> concrete	N	[kN]	4,3	6,1	8,0	11,1	10,0	12,3	14,6	18,4	24,0	21,1	38,0	38,0	
Displacement	$\delta_{N0}$	[mm]	0,5		0,5	0,6	0,6			0,7			0,7	0,8	0,8
	$\delta_{N\infty}$	[mm]	1,3												
Tension load in <b>non-cracked</b> concrete	N	[kN]	4,3	8,5	11,1	15,6	14,1	17,2	20,5	25,9	33,0	29,6	53,3	53,3	
Displacement	$\delta_{N0}$	[mm]	0,2	0,4	0,4		0,4			0,6			0,5	0,6	0,6
	$\delta_{N\infty}$	[mm]	1,3												

**Table C19: Displacements under shear loads, VMZ-IG**

Anchor size <b>VMZ-IG</b>			40 M6	50 M6	60 M8	75 M8	70 M10	80 M10	90 M12	105 M12	125 M12	115 M16	170 M16	170 M20
Shear load <b>Steel, zinc plated</b>	V	[kN]	4,6	5,4	8,4	10,1			19,3			14,8	35,8	30,7
Displacement	$\delta_{V0}$	[mm]	0,4	0,5	0,4	0,5			1,2			0,8	1,9	1,2
	$\delta_{V\infty}$	[mm]	0,7	0,8	0,7	0,8			1,9			1,2	2,8	1,9
Shear load <b>Stainless steel A4 / HCR</b>	V	[kN]	3,2	5,4	5,9	9,3			13,5			18,5	25,2	26,9
Displacement	$\delta_{V0}$	[mm]	0,3	0,5	0,3	0,5			0,9			1,0	1,4	1,1
	$\delta_{V\infty}$	[mm]	0,4	0,7	0,5	0,7			1,4			1,5	2,1	1,6

**Injection System VMZ**

**Performance**

Characteristic values for shear load, **VMZ-IG**, cracked and non-cracked concrete (Design method A according to ETAG 001, Annex C or CEN/TS 1992-4), **Displacements**

**Annex C12**