



**National technical
approval /
Construction technique
permission**

Date:
12 Sep 2023

Approval number:
Z-21.1-1785

Validity
from: **12 September 2023**
to: **12 September 2028**

Applicant:
MKT
Metall-Kunststoff-Technik GmbH & Co. KG
Auf dem Immel 2
67685 Weilerbach

Subject of approval:
EASY for anchoring in pre-stressed hollow core concrete slabs

The subject of approval named above is hereby generally approved / approved by the building inspectorate.

This notification contains seven pages and eight annexes.

The subject of approval was granted the first on 17 August 2006 as a national technical approval.

English translation by MKT – Original version in German language

This is a not certified translation of the national technical approval Z-21.3-1785. The German version can be found at the end of the document. In case of differences between the German and the English version always the German version applies.

I GENERAL PROVISIONS

- 1 With this notification the fitness for use and application of the subject of approval in accordance with the Building codes of the federal states (*Landesbauordnungen*) has been verified.
- 2 This notification does not replace the permits, approvals and certificates prescribed by law for carrying out construction projects.
- 3 This notification is granted without prejudice to the rights of third parties, in particularly private intellectual property rights.
- 4 Copies of this notification must be made available to the user or the user of the regulatory subject, without prejudice to additional regulation in the “Special provisions”. In addition, the user or user of the regulatory object must be informed that this notification must be present at the point of use or application. Upon request, the participating authorities must also be provided with copies.
- 5 This notification may only be duplicated in its entirety. Partial publication requires the consent of Deutsches Institut für Bautechnik. Text and drawings in advertising materials shall not contradict this notification. This document is a translation by MKT of the German original notification. In the event of a discrepancy between the German original of the notification and this translation by MKT, the German version shall prevail.
- 6 This notification may be withdrawn. The provisions of the notification can subsequently be supplemented and amended, particular where this is required by new technical findings.
- 7 This notification relates to the information provided by the applicant and submitted documents. A change of these bases will not be affected by this decision and must be immediately.

II SPECIAL PROVISIONS

1 Construction product and area of application

1.1 Construction product and field of application

EASY is a torque-controlled expansion anchor made of galvanized steel or stainless steel. It consists of an expansion sleeve and a cone with internal thread and a hexagon screw with washer or a threaded rod with washer and hexagon nut.

The EASY expansion anchor is used in concrete members.

1.2 Subject of approval and area of application

The subject of approval is the design, measurement and installation of anchoring with an EASY expansion anchor in pre-stressed hollow core concrete slabs.

The expansion is achieved by screwing in the hexagon head screw or the threaded rod. This separates the cone from the expansion sleeve. By applying torque, the cone is pulled into the expansion sleeve and expands it.

The anchor may only be used for anchorage with primarily static loads in pre-stressed hollow core concrete slabs that have received national technical approval and are made from normal weight concrete of a strength class of at least C45/55 in accordance with DIN EN 206-1:2001-07.

The anchor may only be fastened in pre-stressed hollow core concrete slabs with a hollow space width that does not exceed 4.2 times the web width (see drawing in Annex 1).

The anchor may be used as a multiple use application for fastening light ceiling coverings and joist constructions in accordance with DIN 13964:2014-08 in pre-stressed hollow core concrete and for statically comparable anchoring up to 1.0 kN/m². Components shall be affixed such that, in event of failure of one fastening point, load transfer to two adjacent fastening points is possible. A fastening point is a fastening that can consist of one or more anchors.

They may be used for anchorages with requirements related to resistance to fire.

The anchor made of galvanized steel may only be used in structures subject to dry internal conditions.

Anchors made of stainless steel may be used in accordance with the corrosion resistance class CRC III according to DIN EN 1993-1-4:2015-10 in conjunction with DIN EN 1993-1-4/NA:2017-01.

2 Provisions for the construction product

2.1 Properties and composition

The anchor shall comply with the dimensions and material values given in the annexes.

The material properties, dimensions and tolerances of the anchor not specified in this national technical approval shall correspond to the specifications submitted to the Deutsches Institut für Bautechnik, certification body and external surveillance body.

The anchor consists of a non-flammable material of Class A in accordance with DIN 4102-1:1998-05 "Fire behavior of building materials and building components: Building materials; Concepts, requirements and tests".

The thread parts shall correspond to the strength classes specified in Annex 2.

2.2 Packaging, storage and marking

The anchor shall be packed and supplied as a complete fastening unit. Commercial hexagon screws or threaded rods with hexagon nuts may be used, if supplied in accordance with Annex 3.2.4

The manufacturer shall mark the packaging, enclosed instruction sheet or delivery note for the anchors with a conformity mark (*Ü-Zeichen*) in accordance with the conformity mark ordinance (*Übereinstimmungszeichen-Verordnungen*) of the federal states. The identifying mark of manufacturing plant, approval number and complete trade name of the anchor shall be declared. The mark may only be applied if the requirements of section 2.3 are met.

Each anchor must be stamped with the identifying mark of the manufacturer, anchor type and thread diameter in accordance with Annex 2.

2.3 Certificate of conformity

2.3.1 General

The attestation of conformity of the anchor with the provisions of this national technical approval shall be issued for every manufacturing plant with a certificate of conformity based on factory production control and regular external monitoring, including initial type-testing of the anchor in accordance with the following provisions.

To issue the certificate of conformity and for external surveillance including the associated product testing, the manufacturer of the anchor shall use an appropriately recognized certification body and an appropriately recognized inspection body.

The declaration that a certificate of conformity has been granted shall be submitted by the manufacturer through marking the products with the national conformity mark (*Ü-Zeichen*) including statement of the intended use.

The certification body shall send a copy of the certificate of conformity issued by it to the Deutsches Institut für Bautechnik. If commercial hexagon screws or standard threaded rods with hexagon nut are used, the performance of the tests according to section 3.2.3 must be documented by inspection certificate 3.1 issued by external surveillance body according to DIN EN ISO 10204:2005-01.

2.3.2 Factory production control

A factory production control shall be set up and implemented in each manufacturing plant. Factory production control includes continual monitoring by the manufacturer to ensure that the manufactured construction products satisfy the provisions of this national technical approval.

The requirements submitted to the Deutsches Institut für Bautechnik and external monitoring body for the scope, nature and frequency of the production control shall apply.

The results of the factory production control shall be recorded and evaluated. The records shall contain at least the following information:

- designation of the construction product or base material and its components
- type of check or test
- date of manufacture and testing of the construction product or base material or components
- results of check and tests and, where applicable, comparison with the requirements
- signature of the person responsible for factory production control.

The records shall be stored for at least five years and submitted to the surveillance body responsible for external monitoring. These shall also be submitted to the Deutsches Institut für Bautechnik and the responsible supreme building authority (*oberste Bauaufsichtsbehörde*) upon demand.

Where test results are unsatisfactory, the manufacturer shall immediately take the necessary measures to resolve the defect. Construction products that do not correspond to requirements

shall be handled in such a way that prevents confusion with conforming products. After the defect has been remedied, the relevant test shall be repeated immediately - where technically feasible and necessary to show that the defect has been eliminated.

2.3.3 External surveillance

Factory production control shall be inspected regularly, at least once a year, via external surveillance at each manufacturing plant.

As part of the external monitoring, initial type-testing of the anchors and sample testing shall be carried out. The sampling and testing is the responsibility of the recognized inspection body.

The requirements submitted to the Deutsches Institut für Bautechnik and external surveillance body for the scope, type and frequency of the external monitoring shall apply.

The results of the certification and external surveillance shall be kept for at least five years. Upon request, the certification or inspection body shall present the results to Deutsches Institut für Bautechnik and the responsible supreme building authority.

3 Provisions for planning and design

3.1 Planning

The fastenings should be designed in line with standard engineering practice. Verifiable calculations and construction drawings should be prepared with regard to the loads to be anchored.

The requirements for the screw or for the threaded rod and nut are provided in Annexes 2 and 3.

3.2 Design

3.2.1 General

It shall be demonstrated that the hollow space width of the pre-stressed hollow core slabs does not exceed 4.2 times the web width ($b_H \leq 4.2 e$) cf. Annex 1. Proof of direct local introduction of force into the concrete is provided. Transfer of the loads to be anchored in the component must be demonstrated.

Bending stress of the anchor must only be unconsidered if all of the following conditions are met:

- The component to be connected shall consist of metal and shall be clamped completely against the concrete without an intermediate layer in the area of the fastening.
- The fixture shall be in contact with screw or rod over its entire thickness.
- The diameter of the clearance hole in the fixture may not exceed the values in Annex 3.

If the specified diameter of the clearance hole in the fixture cannot be adhered to, special measures must be taken (e.g. reinforce washers) due to the risk of pulling through.

Additional stresses that may arise in the anchor, the component to be connected or the component to which the anchor is fastened due to hindered deformation (e.g. during temperature changes) should be taken into account.

3.2.2 Evidence

The design resistances of the anchor for fastening in pre-stressed hollow core slabs apply for the load directions of tension, shear and inclined load at every angle (with and without lever arm). They are specified depending on the flange thickness d_b of the pre-stressed hollow core slabs in Annexes 7 and 8.

For the ultimate limit state the following equations must be proved:

Tension and shear stress	$F_{Ed} \leq F_{Rd}$
Bending stress	$M_{Ed} \leq M_{Rd}$
Bending and tension	$\frac{F_{Ed}}{F_{Rd}} + \frac{M_{Ed}}{M_{Rd}} \leq 1,0$

F_{Ed} = design action (tension and shear load)
 F_{Rd} = design resistance, according to Annex 7
 M_{Ed} = design action (bending)

The calculated restraint point is below the surface of the concrete by the nominal diameter of the screw

M_{Rd} = design bending resistance, according to Annex 8

3.2.3 Displacement behaviour

Under loading equivalent to $\frac{F_{Rd}}{1,4}$, displacements of 0.1 mm are to be expected for anchor sizes M6 and M8 and up to 0.4 mm for anchor sizes M10 and M12. Under continuous loading, an increased displacement should be expected.

Under shear load equivalent to $\frac{F_{Rd}}{1,4}$, displacements up to 0.9 mm are to be expected for anchor sizes M6 and M8 and up to 1.4 mm for anchor sizes M10 and M12. The existing hole clearance between the anchor and fixture should also be taken into account. The displacement under inclined load can be calculated from the displacements caused by the partial tension and shear loads. The displacements are calculated from the specified reference values via linear interpolation.

3.2.4 Fixing of the hexagon screw or threaded rod with hexagon nut

If the hexagon screw or threaded rod with nut is not delivered by the manufacturer of the anchor, the designing engineer shall define it regarding the length depending on thickness of fixture, minimum screwing depth and possible tolerances according to Annex 3.

The hexagon screw or threaded rod with hexagon nut must comply with the specifications of material, dimensions and mechanical properties listed in Annex 2.

3.2.5 Fire protection

The design resistances of the anchor for fastenings in pre-stressed hollow core slabs under fire exposure apply for the load directions of tension, shear and inclined load at every angle (without lever arm). They are specified depending on the flange thickness d_b of the pre-stressed hollow core slabs according to Annex 8.

For the ultimate limit state the following equations must be proved:

Tension and shear stress	$F_{Ed} \leq F_{Rd,fi}$
--------------------------	-------------------------

F_{Ed} = design action (tension and shear load)
 $F_{Rd,fi}$ = design fire resistance, according to Annex 8

3.3 Conditions for implementation

3.3.1 Producing drilled holes

The drilled hole should be produced at a right angle to the surface of the anchorage ground using a carbide impact or hammer drill bit. The carbide drill bits must comply with the specifications of the information leaflet from the *Deutschen Instituts für Bautechnik* and *Fachverbandes Werkzeugindustrie e.V. "Kennwerte, Anforderungen und Prüfungen von Mauerbohrern mit Schneidköpfen aus Hartmetall, die zur Herstellung der Bohrlöcher von Dübelverankerungen verwendet werden"* ('Characteristics, requirements and tests of drill bits with carbide cutting bodies used for producing drilled holes for fastenings) in its version of

January 2002. Adherence to the drill bit characteristics must be proven in accordance with section 5 of the information leaflet. Nominal drill-bit diameters and cutting diameters shall correspond to the values set out in Annex 3.

3.3.2 Installation of anchors

Before installing the anchor, the flange thickness should be checked at the application point. The anchor can also be installed, observing the distances to pre-stressed strands (Annex 4), in solid material (web) or with flange thickness of > 50 mm. When using screws, the maximum screw lengths shall be observed in accordance with Table 3.

The anchor to be fastened should be installed in accordance with the construction drawings prepared pursuant to section 3.1 and the installation instructions of the manufacturer. Before installation of the anchor, the precise location of the prestressed strands should be established using an appropriate metal detection device and marked on the underside of the ceiling. If the anchor is not installed centrally in the hollow-space axis, the distance between the anchor axis and the axis of the prestressed strands shall be at least 50 mm (cf. Annex 4)

The anchor should be introduced into the hole so that the expansion sleeve finishes flush with the concrete surface.

The anchor should be installed with a calibrated torque wrench. The torque moments are specified in Annex 3 and must be applied to the hexagon nut on the threaded rod or hexagon screw. The anchor is only properly fastened and may only be loaded when the required torque is applied.

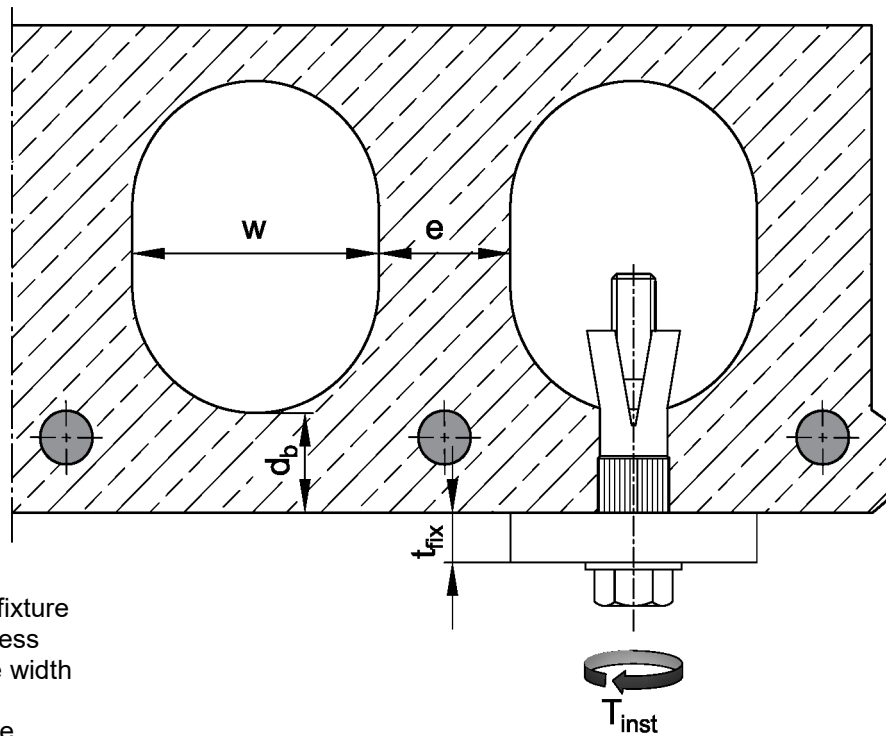
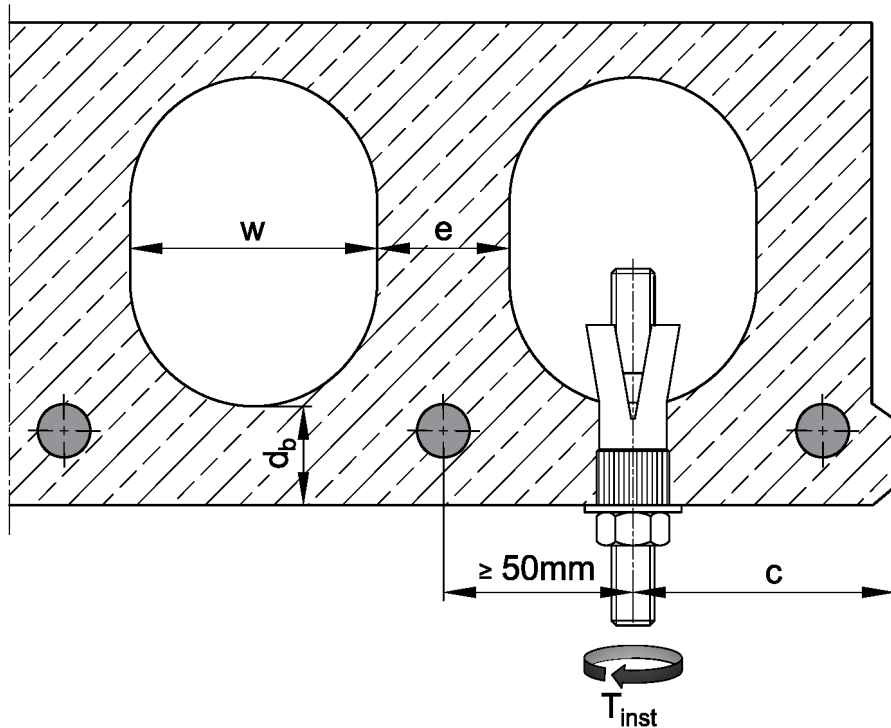
Installed anchors can be tested at any time, by re-applying the required installation torque.

3.3.3 Controlling the installation

During the installation of the anchors, either the contractor entrusted with the installation of the anchors, the construction manager appointed by the contractor or a competent representative of the construction manager shall be present at the construction site. This person should ensure proper installation.

While installing anchors, records of the onsite concrete strength class and the proper assembly of the anchors should be taken by the construction manager or his/her representative. These records shall be present at the construction site throughout the construction project and should be presented to those responsible for controlling upon request. Like the delivery notes, these shall also be retained by the contractor for 5 years after completion of the work.

EASY Hollow Core Anchor for fastening in pre-stressed hollow core slabs with a hollow space width that does not exceed 4.2 times the web width ($w \leq 4,2 e$)



Legend:

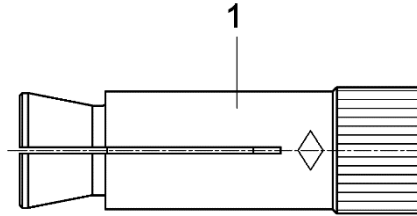
- t_{fix} = thickness of fixture
- d_b = flange thickness
- w = hollow space width
- e = web width
- c = edge distance
- T_{inst} = installation torque


EASY for anchoring in pre-stressed hollow core concrete slabs

Product and application range

Annex 1

Marking:



Marking: e.g.  EY M8


-  Identifying mark of manufacturing plant
- EY Trade name
- M8 thread size
- A4 additional marking for stainless steel A4

Table 1: Description and materials

Part	Description	Zinc plated steel ≥ 5 m	stainless steel A4 (size M10)
1	EASY	Steel, galvanized	stainless steel according to DIN EN 10088-1:2014-12

Requirements on the fastening screw or the threaded rod and nut according to the engineering documents:

The length of screw or the threaded rod shall be determined depending on the thickness of fixture t_{fix} .

Steel, galvanized

- Hexagon screw and commercial threaded rod:
 M6: Property class 8.8 acc. to DIN EN ISO 898-1:2013-05
 M8 – M12: Property class ≥ 5.8 acc. to DIN EN ISO 898-1:2013-05
- Hexagon nut:
 M6: Property class 8 acc. to DIN EN ISO 898-2:2023-02
 M8 – M12: Property class ≥ 5 acc. to DIN EN ISO 898-2:2023-02

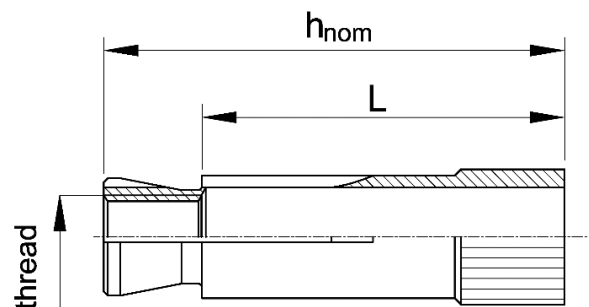
Stainless Steel A4

- Material acc. to DIN EN 10088-1:2014-12
- Property class ≥ 70 acc. to DIN EN ISO 3506-1:2020-08; DIN EN ISO 3506-2:2020-08

Table 2: Dimensions

Fastener size	Thread	h_{nom} [mm]	L [mm]
M6	M6	40	30
M8	M8	45	35
M10	M10	53 (51) ¹⁾	40
M12	M12	58	45

¹⁾ Value in brackets for version A4



EASY for anchoring in pre-stressed hollow core concrete slabs

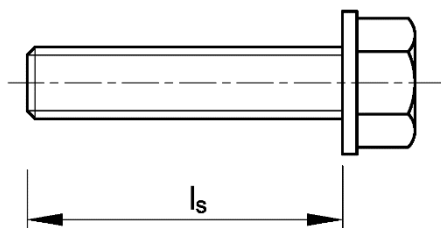
**Description and materials,
 Dimensions**

Annex 2

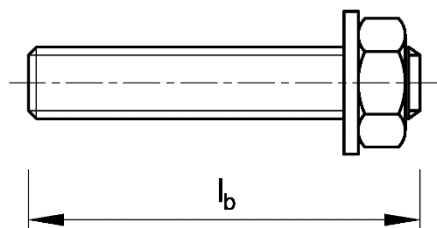
Table 3: Installation parameters

Fastener size		M6	M8	M10	M12
Nominal drill hole diameter	d_0 [mm]	10	12	16	18
Cutting diameter of drill bit	d_{cut} [mm]	10,45	12,5	16,5	18,5
Depth of drill hole	$h_0 \geq$ [mm]	50	55	60	70
Screw length (in solid material)	min l_s [mm]	$42 + t_{fix}$	$47 + t_{fix}$	$55 + t_{fix}$	$61 + t_{fix}$
	max l_s [mm]	$50 + t_{fix}$	$55 + t_{fix}$	$60 + t_{fix}$	$70 + t_{fix}$
Threaded rod length	min l_b [mm]	$47 + t_{fix}$	$53 + t_{fix}$	$63 + t_{fix}$	$71 + t_{fix}$
Installation torque	T_{inst} [Nm]	10	20	30	40
Diameter of clearance hole in the fixture	$d_f \leq$ [mm]	7	9	12	14

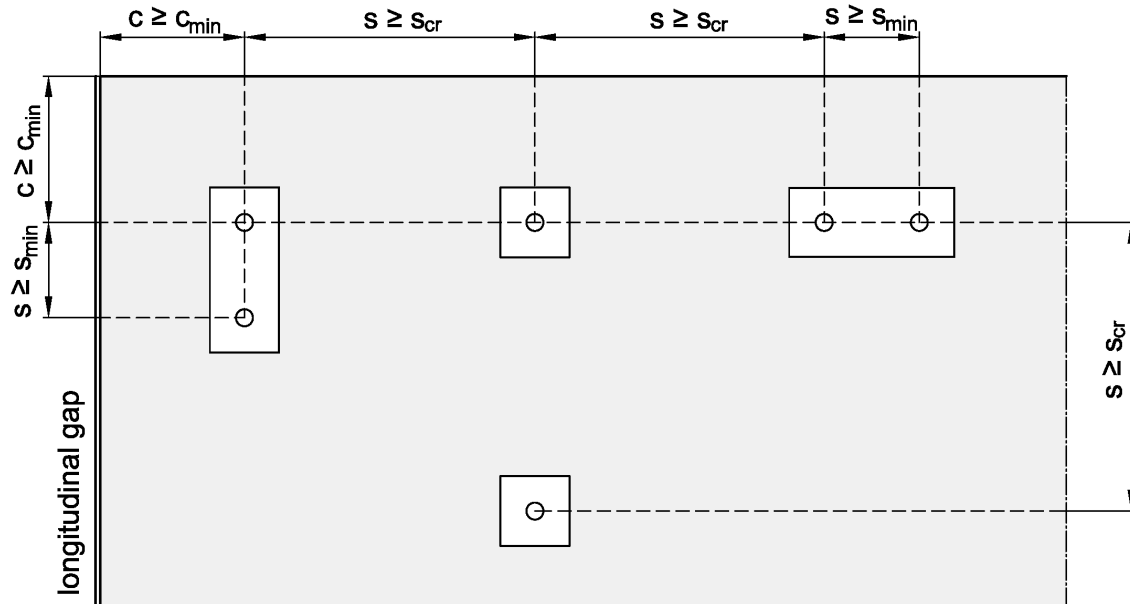
Screw length



Threaded rod length



Distances between double fastener groups / single fastener

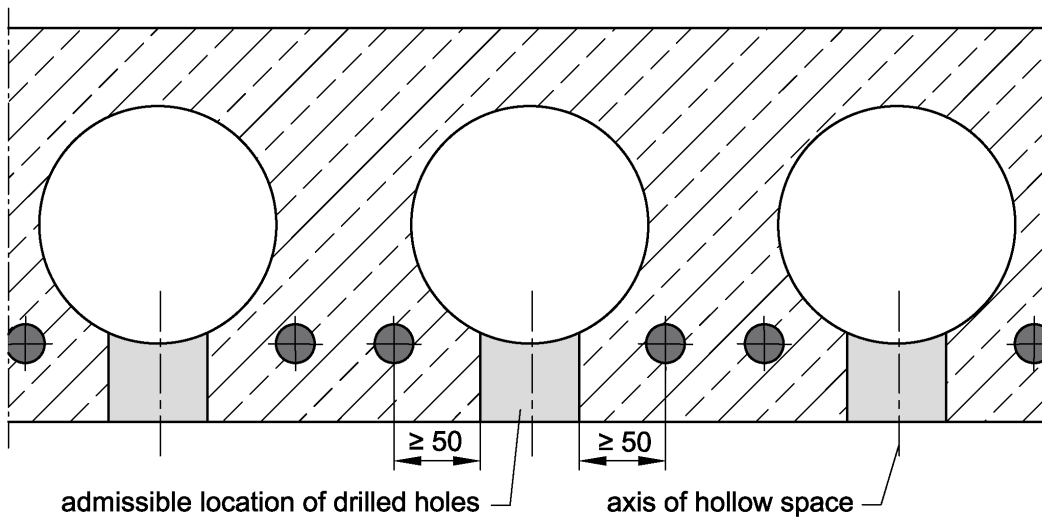
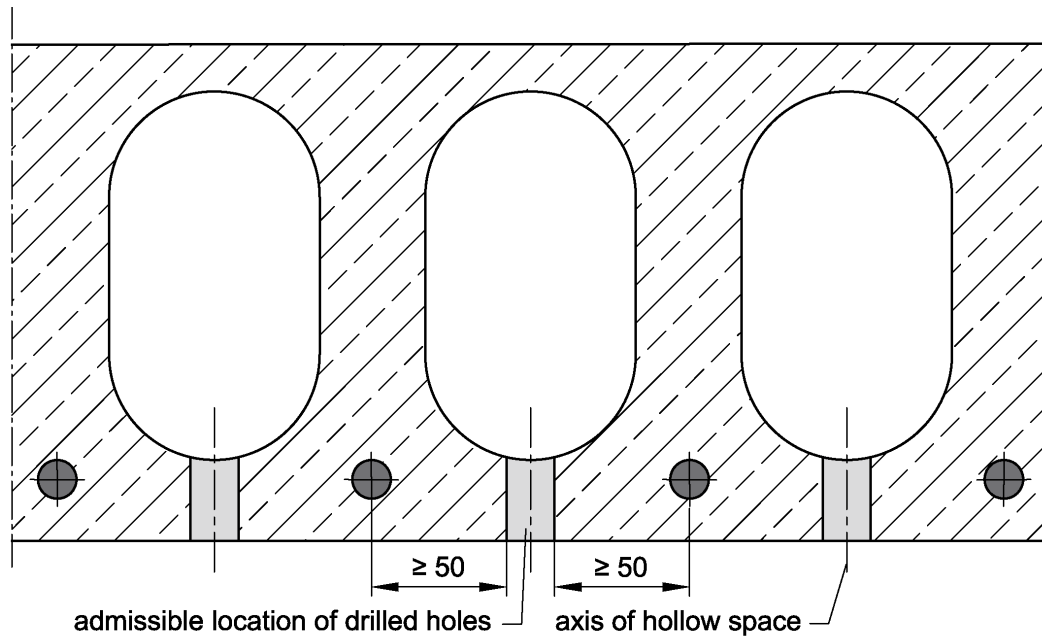


EASY for anchoring in pre-stressed hollow core concrete slabs

**Installation parameters,
 Distances between double fastener groups / single fastener**

Annex 3

Admissible location of drilled holes



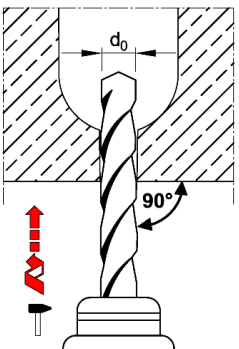
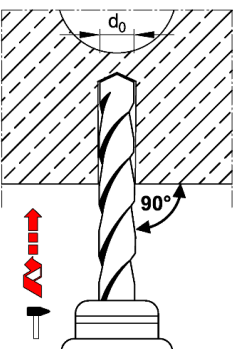
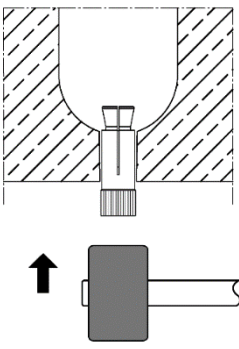
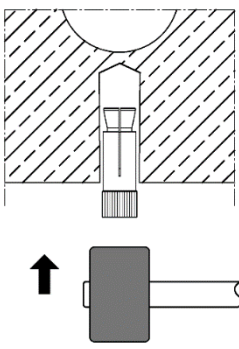
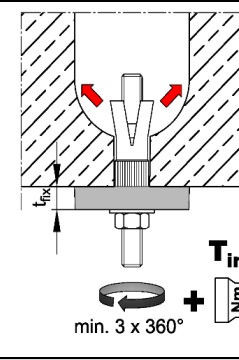
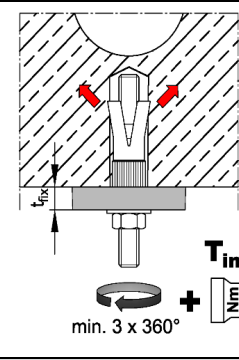
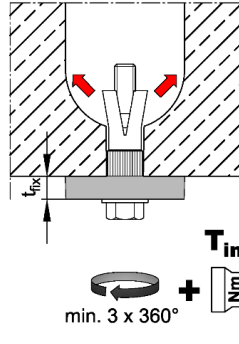
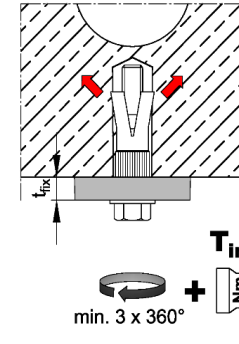
If the fastener is not installed centrally in the hollow-space axis, the distance between the fastener axis and the axis of the pre-stressed wire shall be at least 50 mm, in accordance with the drawing above. The fastener can either be installed into the solid material of the hollow slab or into the hollow slab from above.

EASY for anchoring in pre-stressed hollow core concrete slabs

Minimum distance to pre-stressing reinforcement

Annex 4

Installation instructions for zinc plated fastener

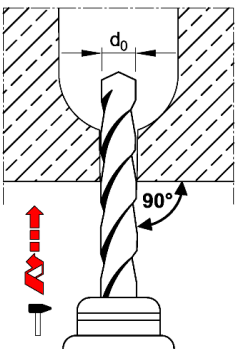
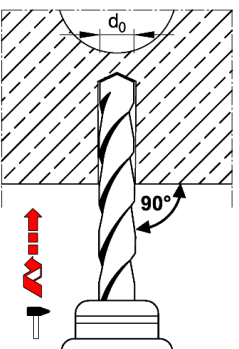
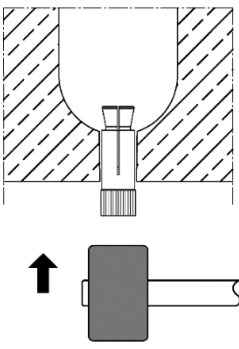
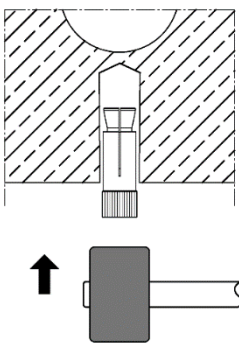
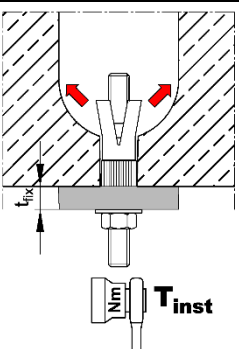
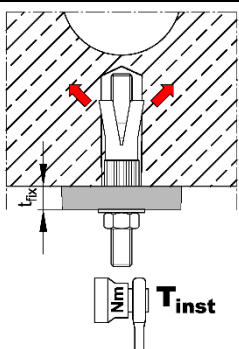
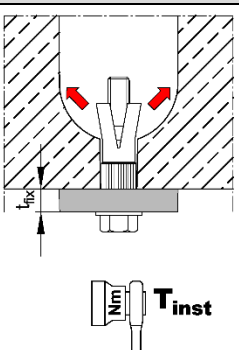
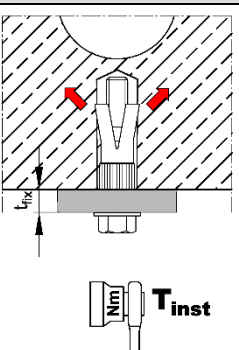
	Installation in hollow space	Installation in solid material
1		
2		
for use with threaded rod		
3		
	for use with screw	
		

EASY for anchoring in pre-stressed hollow core concrete slabs

Installation instructions for zinc plated fastener

Annex 5

Installation instructions for stainless steel A4 fastener

	Installation in hollow space	Installation in solid material
1		
2		
for use with threaded rod		
3		
	for use with screw	
		

EASY for anchoring in pre-stressed hollow core concrete slabs

Installation instructions for stainless steel A4 fastener

Annex 6

Table 4: Design resistances and fastener distances for tension, shear and inclined loads at any angle in pre-stressed hollow core slabs of strength class \geq C45/55

	Flange thickness d_b [mm] \geq			Fastener size			
				M6	M8	M10	M12
Single fastener							
Spacing between single fasteners	25 / 30 / 40 / 50	$s_{cr} \geq$	[mm]	300			
Design resistance ¹⁾ for s_{cr} and c_{cr}	25	F_{Rd}	[kN]	1,0	1,0	1,3	1,4
	30			1,3	1,3	1,7	1,7
	40			2,8	2,8	4,2	4,2
	50			4,1	5,0	5,0	6,0
Edge distance	25 / 30 / 40 / 50	$c_{cr} \geq$	[mm]	150			
Design resistance ¹⁾ for s_{cr} and c_{min}	25	F_{Rd}	[kN]	0,5	0,5	1,1	1,1
	30			1,1	1,1	1,4	1,4
	40			2,5	2,5	3,8	3,8
	50			3,4	4,2	4,2	5,0
Minimum edge distance	25 / 30 / 40 / 50	$c_{min} \geq$	[mm]	100			
Double fastener group ²⁾							
Spacing between double fastener groups	25 / 30 / 40 / 50	$s_{cr} \geq$	[mm]	300			
Minimum spacing	25	$s_{min} \geq$	[mm]	70			
	30			80			
	40			100			
	50			100			
Design resistance / double fastener group ¹⁾ for s_{min} and c_{cr}	25	F_{Rd}	[kN]	1,0	1,0	1,5	1,7
	30			2,0	2,0	2,8	2,8
	40			3,6	3,6	6,7	6,7
	50			5,5	6,7	6,7	8,0
Edge distance	25 / 30 / 40 / 50	$c_{cr} \geq$	[mm]	150			
Design resistance / double fastener group ¹⁾ for s_{min} and c_{min}	25	F_{Rd}	[kN]	0,5	0,5	1,3	1,4
	30			1,75	1,75	2,5	2,5
	40			3,3	3,3	6,0	6,0
	50			4,5	5,6	6,0	6,7
Minimum edge distance	25 / 30 / 40 / 50	$c_{min} \geq$	[mm]	100			

¹⁾ For edge distances $c_{min} \leq c \leq c_{cr}$ the admissible loads may be determined via linear interpolation.

²⁾ The design resistances apply to the double fastener group. The design resistance for the fastener with the highest load may not exceed the values specified for the single fastener. For double fastener groups with spacing of $s_{min} \leq s \leq s_{cr}$ the design resistance may be linearly interpolated, whereby, when $s = s_{cr}$ for the double fastener group twice the design resistance for single fastener may be applied for the double fastener group with uniformly applied loads for the limit value.

EASY for anchoring in pre-stressed hollow core concrete slabs

Design resistances, Distances

Annex 7

Table 5: Design bending resistance for anchorages in pre-stressed hollow core slabs of strength class \geq C45/55

			Property class ¹⁾	Fastener size			
				M6	M8	M10	M12
Zinc plated							
Design bending resistance	M_{Rd}	[Nm]	5.8	-	15,0	30,0	52,4
			8.8	6,2	23,9	47,9	83,7
Stainless steel A4							
Design bending resistance	M_{Rd}	[Nm]	\geq A4 70	-	-	33,6	-

¹⁾ Requirements on the fastening screw or the threaded rod and nut, note annex 2

Table 6: Design resistances [kN] under fire exposure for tension, shear and inclined loads at any angle in pre-stressed hollow core slabs of strength class \geq C45/55

Size			M6	M8	M10	M12			
Single fastener									
Flange thickness	$d_b \geq$	[mm]	30	30	30	40	30	40	
Fire resistance	R30	$F_{Rd,fi}$	[kN]	0,7	0,9	1,2	1,5	1,2	1,5
	R60	$F_{Rd,fi}$	[kN]	0,6	0,9	1,2	1,5	1,2	1,5
	R90	$F_{Rd,fi}$	[kN]	0,4	0,7	1,2	1,2	1,2	1,5
	R120	$F_{Rd,fi}$	[kN]	0,2	0,4	1,0	1,0	1,2	1,2
Spacing	$s_{cr} \geq$	[mm]	300						
Edge distance	$c_{cr} \geq$ $c_{min} \geq$	[mm]	150						
Double fastener group									
Flange thickness	$d_b \geq$	[mm]	30	30	30	40	30	40	
Fire resistance	R30	$F_{Rd,fi}$	[kN]	1,25	1,25	1,8	3,0	1,8	3,0
	R60	$F_{Rd,fi}$	[kN]	1,25	1,25	1,8	3,0	1,8	3,0
	R90	$F_{Rd,fi}$	[kN]	0,8	1,25	1,8	2,4	1,8	3,0
	R120	$F_{Rd,fi}$	[kN]	0,4	0,8	1,8	2,0	1,8	2,4
Spacing and edge distance	The minimum spacing and edge distances in accordance with Table 4, Annex 7 should be adhered to depending upon flange thickness.								

The edge distance shall be \geq 300 mm, if the fire exposure applies from more than one side.

EASY for anchoring in pre-stressed hollow core concrete slabs

**Design bending resistance
Design resistances under fire exposure**

Annex 8

**Allgemeine
bauaufsichtliche
Zulassung/
Allgemeine
Bauartgenehmigung**

Eine vom Bund und den Ländern gemeinsam
getragene Anstalt des öffentlichen Rechts

**Zulassungs- und Genehmigungsstelle
für Bauprodukte und Bauarten**

Datum:

08.09.2023

Geschäftszeichen:

I 25-1.21.1-36/23

Nummer:

Z-21.1-1785

Geltungsdauer

vom: **12. September 2023**

bis: **12. September 2028**

Antragsteller:

MKT

Metall-Kunststoff-Technik GmbH & Co. KG

Auf dem Immel 2

67685 Weilerbach

Gegenstand dieses Bescheides:

EASY für Verankerungen in Spannbeton-Hohldeckenplatten

Der oben genannte Regelungsgegenstand wird hiermit allgemein bauaufsichtlich
zugelassen/genehmigt.

Dieser Bescheid umfasst acht Seiten und acht Anlagen.

Der Gegenstand ist erstmals am 17. August 2006 allgemein bauaufsichtlich zugelassen worden.

DIBt

I ALLGEMEINE BESTIMMUNGEN

- 1 Mit diesem Bescheid ist die Verwendbarkeit bzw. Anwendbarkeit des Regelungsgegenstandes im Sinne der Landesbauordnungen nachgewiesen.
- 2 Dieser Bescheid ersetzt nicht die für die Durchführung von Bauvorhaben gesetzlich vorgeschriebenen Genehmigungen, Zustimmungen und Bescheinigungen.
- 3 Dieser Bescheid wird unbeschadet der Rechte Dritter, insbesondere privater Schutzrechte, erteilt.
- 4 Dem Verwender bzw. Anwender des Regelungsgegenstandes sind, unbeschadet weiter gehender Regelungen in den "Besonderen Bestimmungen", Kopien dieses Bescheides zur Verfügung zu stellen. Zudem ist der Verwender bzw. Anwender des Regelungsgegenstandes darauf hinzuweisen, dass dieser Bescheid an der Verwendungs- bzw. Anwendungsstelle vorliegen muss. Auf Anforderung sind den beteiligten Behörden ebenfalls Kopien zur Verfügung zu stellen.
- 5 Dieser Bescheid darf nur vollständig vervielfältigt werden. Eine auszugsweise Veröffentlichung bedarf der Zustimmung des Deutschen Instituts für Bautechnik. Texte und Zeichnungen von Werbeschriften dürfen diesem Bescheid nicht widersprechen, Übersetzungen müssen den Hinweis "Vom Deutschen Institut für Bautechnik nicht geprüfte Übersetzung der deutschen Originalfassung" enthalten.
- 6 Dieser Bescheid wird widerruflich erteilt. Die Bestimmungen können nachträglich ergänzt und geändert werden, insbesondere, wenn neue technische Erkenntnisse dies erfordern.
- 7 Dieser Bescheid bezieht sich auf die von dem Antragsteller gemachten Angaben und vorgelegten Dokumente. Eine Änderung dieser Grundlagen wird von diesem Bescheid nicht erfasst und ist dem Deutschen Institut für Bautechnik unverzüglich offenzulegen.

II BESONDERE BESTIMMUNGEN

1 Regelungsgegenstand und Verwendungs- bzw. Anwendungsbereich

1.1 Zulassungsgegenstand und Verwendungsbereich

EASY ist ein kraftkontrolliert spreizender Dübel aus galvanisch verzinktem oder nichtrostendem Stahl. Er besteht aus einer Spreizhülse und einem Konus mit Innengewinde sowie einer Sechskantschraube mit Unterlegscheibe oder einer Gewindestange mit Unterlegscheibe und Sechskantmutter.

Der EASY Spreizdübel wird als Verankerung in Betonbauteilen verwendet.

1.2 Genehmigungsgegenstand und Anwendungsbereich

Genehmigungsgegenstand ist die Planung, Bemessung und Ausführung der Verankerung mit einem EASY Spreizdübel in Spannbeton-Hohldeckenplatten.

Die Verspreizung erfolgt durch Eindrehen der Sechskantschraube bzw. der Gewindestange. Dabei wird der Konus von der Spreizhülse getrennt. Durch das Aufbringen des Montagedrehmomentes wird der Konus in die Spreizhülse gezogen und verspreizt diese.

Auf der Anlage 1 ist der Dübel im eingebauten Zustand dargestellt.

Der Dübel darf für Verankerungen unter statischer und quasi-statischer Belastung in allgemein bauaufsichtlich zugelassenen Spannbeton-Hohldeckenplatten aus Normalbeton der Festigkeitsklasse von mindestens C45/55 nach DIN EN 206-1:2001-07 ausgeführt werden.

Die Verankerung des Hohlraumdübels ist nur in Spannbeton-Hohldeckenplatten zulässig, deren Hohlraumbreite das 4,2-fache der Stegbreite nicht überschreitet (siehe Skizze auf Anlage 1).

Der Dübel darf auch als Mehrfachbefestigung für die Verankerung leichter Deckenbekleidungen und Unterdecken nach DIN EN 13964:2014-08 in Spannbeton-Hohldecken sowie für statisch vergleichbare Verankerungen bis 1,0 kN/m² verwendet werden. Die Bauteile müssen so befestigt werden, dass im Falle des Versagens einer Befestigungsstelle eine Lastumlagerung auf zwei benachbarte Befestigungsstellen möglich ist. Eine Befestigungsstelle ist eine Verankerung, die aus einem oder mehreren Dübeln bestehen kann.

Der Dübel darf für Verankerungen, an die Anforderungen an die Feuerwiderstandsfähigkeit gestellt werden, angewendet werden.

Der Dübel aus galvanisch verzinktem Stahl darf nur unter den Bedingungen trockener Innenräume angewendet werden.

Der Dübel aus nichtrostendem Stahl darf entsprechend der Korrosionsbeständigkeitsklasse CRC III gemäß DIN EN 1993-1-4:2015-10 in Verbindung mit DIN EN 1993-1-4/NA:2017-01 angewendet werden.

2 Bestimmungen für das Bauprodukt1

2.1 Eigenschaften und Zusammensetzung

Der Dübel muss in seinen Abmessungen und Werkstoffeigenschaften den Angaben der Anlagen entsprechen.

Die in diesem Bescheid nicht angegebenen Werkstoffkennwerte, Abmessungen und Toleranzen des Dübels müssen den beim Deutschen Institut für Bautechnik, bei der Zertifizierungsstelle und der fremdüberwachenden Stelle hinterlegten Angaben entsprechen.

Der Dübel besteht aus einem nichtbrennbaren Baustoff der Klasse A nach DIN 4102-1:1998-05 "Brandverhalten von Baustoffen und Bauteilen; Baustoffe - Begriffe, Anforderungen und Prüfungen".

Schrauben und Gewindestangen müssen den in Anlage 2 angegebenen Festigkeitsklassen entsprechen.

2.2 Verpackung, Lagerung und Kennzeichnung

Der Dübel darf nur als Befestigungseinheit verpackt und geliefert werden. Es dürfen handelsübliche Sechskantschrauben oder Gewindestange mit Sechskantmutter verwendet werden wenn sie entsprechend Abschnitt 3.2.4 zugeliefert werden.

Verpackung, Beipackzettel oder Lieferschein des Dübels muss vom Hersteller mit dem Übereinstimmungszeichen (Ü-Zeichen) nach den Übereinstimmungszeichen-Verordnungen der Länder gekennzeichnet werden. Zusätzlich sind das Werkzeichen, die Zulassungsnummer und die vollständige Bezeichnung des Dübels anzugeben. Die Kennzeichnung darf nur erfolgen, wenn die Voraussetzungen nach Abschnitt 2.3 erfüllt sind.

Jedem Dübel sind das Werkzeichen, der Dübeltyp und der Gewindedurchmesser nach Anlage 2 einzuprägen.

2.3 Übereinstimmungsbestätigung

2.3.1 Allgemeines

Die Bestätigung der Übereinstimmung des Dübels mit den Bestimmungen dieser allgemeinen bauaufsichtlichen Zulassung muss für jedes Herstellwerk mit der Übereinstimmungserklärung des Herstellers auf der Grundlage einer werkseigenen Produktionskontrolle und eines Übereinstimmungszertifikates einer hierfür anerkannten Zertifizierungsstelle sowie einer regelmäßigen Fremdüberwachung durch eine anerkannte Überwachungsstelle nach Maßgabe der folgenden Bestimmungen erfolgen:

Für die Erteilung des Übereinstimmungszertifikats und die Fremdüberwachung einschließlich der dabei durchzuführenden Produktprüfungen hat der Hersteller des Dübels eine hierfür anerkannte Zertifizierungsstelle sowie eine hierfür anerkannte Überwachungsstelle einzuschalten.

Die Übereinstimmungserklärung hat der Hersteller durch Kennzeichnung des Dübels mit dem Übereinstimmungszeichen (Ü-Zeichen) unter Hinweis auf den Verwendungszweck abzugeben.

Dem Deutschen Institut für Bautechnik ist von der Zertifizierungsstelle eine Kopie des von ihr erteilten Übereinstimmungszertifikats zur Kenntnis zu geben. Werden handelsübliche Sechskantschrauben oder Gewindestange mit Sechskantmutter verwendet, so muss die Durchführung der in Abschnitt 3.2.3 geregelten Prüfungen durch ein vom Fremdüberwacher ausgestelltes Abnahmeprüfzeugnis 3.1 nach DIN EN ISO 10204:2005-01 belegt sein.

2.3.2 Werkseigene Produktionskontrolle

In jedem Herstellwerk ist eine werkseigene Produktionskontrolle einzurichten und durchzuführen. Unter werkseigener Produktionskontrolle wird die vom Hersteller vorzunehmende kontinuierliche Überwachung der Produktion verstanden, mit der dieser sicherstellt, dass die von ihm hergestellten Bauprodukte den Bestimmungen dieser allgemeinen bauaufsichtlichen Zulassung entsprechen.

Für Umfang, Art und Häufigkeit der werkseigenen Produktionskontrolle sind die beim Deutschen Institut für Bautechnik und der fremdüberwachenden Stelle hinterlegten Anforderungen maßgebend.

Die Ergebnisse der werkseigenen Produktionskontrolle sind aufzuzeichnen und auszuwerten. Die Aufzeichnungen müssen mindestens folgende Angaben enthalten:

- Bezeichnung des Bauprodukts bzw. des Ausgangsmaterials und der Bestandteile
- Art der Kontrolle oder Prüfung
- Datum der Herstellung und der Prüfung des Bauprodukts bzw. des Ausgangsmaterials oder der Bestandteile
- Ergebnis der Kontrolle und Prüfungen und, soweit zutreffend, Vergleich mit den Anforderungen
- Unterschrift des für die werkseigene Produktionskontrolle Verantwortlichen.

Die Aufzeichnungen sind mindestens fünf Jahre aufzubewahren und der für die Fremdüberwachung eingeschalteten Überwachungsstelle vorzulegen. Sie sind dem Deutschen Institut für Bautechnik und der zuständigen obersten Bauaufsichtsbehörde auf Verlangen vorzulegen.

Bei ungenügendem Prüfergebnis sind vom Hersteller unverzüglich die erforderlichen Maßnahmen zur Abstellung des Mangels zu treffen. Bauprodukte, die den Anforderungen nicht entsprechen, sind so zu handhaben, dass Verwechslungen mit übereinstimmenden ausgeschlossen werden. Nach Abstellung des Mangels ist - soweit technisch möglich und zum Nachweis der Mängelbeseitigung erforderlich - die bestehende Prüfung unverzüglich zu wiederholen.

2.3.3 Fremdüberwachung

In jedem Herstellwerk ist die werkseigene Produktionskontrolle durch eine Fremdüberwachung regelmäßig zu überprüfen, mindestens jedoch einmal jährlich.

Im Rahmen der Fremdüberwachung ist eine Erstprüfung durchzuführen und es sind Stichproben zu entnehmen. Die Probennahme und Prüfungen obliegen jeweils der anerkannten Überwachungsstelle.

Für Umfang, Art und Häufigkeit der Fremdüberwachung sind die beim Deutschen Institut für Bautechnik und der fremdüberwachenden Stelle hinterlegten Anforderungen maßgebend.

Die Ergebnisse der Zertifizierung und Fremdüberwachung sind mindestens fünf Jahre aufzubewahren. Sie sind von der Zertifizierungsstelle bzw. der Überwachungsstelle dem Deutschen Institut für Bautechnik und der zuständigen obersten Bauaufsichtsbehörde auf Verlangen vorzulegen.

3 Bestimmungen für Planung, Bemessung und Ausführung

3.1 Planung

Die Verankerungen sind ingenieurmäßig zu planen. Unter Berücksichtigung der zu verankernden Lasten sind prüfbare Berechnungen und Konstruktionszeichnungen anzufertigen.

Die Anforderungen an die Schraube bzw. an die Gewindestange und Mutter sind auf den Anlagen 2 und 3 angegeben.

3.2 Bemessung

3.2.1 Allgemeines

Es ist nachzuweisen, dass die Hohlraumbreite der Spannbeton-Hohldeckenplatten das 4,2-fache der Stegbreite nicht überschreitet ($w \leq 4,2 \times e$) vgl. Anlage 1. Mit dieser Bemessung ist der Nachweis der unmittelbaren örtlichen Krafteinleitung in den Beton erbracht. Die Weiterleitung der zu verankernden Lasten im Bauteil ist nachzuweisen.

Eine Biegebeanspruchung des Dübels darf nur dann unberücksichtigt bleiben, wenn alle folgenden Bedingungen eingehalten werden:

- Das anzuschließende Bauteil muss aus Metall bestehen und ohne Zwischenlage im Bereich der Verankerung ganzflächig gegen den Beton verspannt sein.
- Das Anbauteil muss auf seiner ganzen Dicke am Gewindestange bzw. an der Distanzhülse anliegen.
- Das Durchgangsloch im anzuschließenden Bauteil darf die Werte der Anlage 3 nicht überschreiten.

Kann das angegebene Durchgangsloch im anzuschließenden Bauteil nicht eingehalten werden, sind wegen der Gefahr des Durchzugs gesonderte Maßnahmen zu treffen (z. B. verstärkte Unterlegscheibe).

Zusatzbeanspruchungen, die im Dübel, im anzuschließenden Bauteil oder im Bauteil, in dem der Dübel verankert ist, aus behinderter Formänderung (z. B. bei Temperaturwechseln) entstehen können, sind zu berücksichtigen.

3.2.2 Nachweise

Die Bemessungswerte des Widerstandes der Dübel für Verankerungen in Spannbeton-Hohldeckenplatten gelten für die Beanspruchungsrichtungen zentrischer Zug, Querlast und Schrägzug unter jedem Winkel (mit oder ohne Hebelarm). Sie sind in Abhängigkeit von der Spiegeldicke d_b der Spannbeton-Hohldeckenplatten auf Anlage 7 und 8 angegeben.

Für den Grenzzustand der Tragfähigkeit ist nachzuweisen, dass folgende Gleichungen eingehalten sind:

$$\text{Zug- und Querbeanspruchung} \quad F_{Ed} \leq F_{Rd}$$

$$\text{Biegung} \quad M_{Ed} \leq M_{Rd}$$

$$\text{Biegung und Zug} \quad \frac{F_{Ed}}{F_{Rd}} + \frac{M_{Ed}}{M_{Rd}} \leq 1,0$$

F_{Ed} = Bemessungswert der Einwirkung (Zug- und Querlast)

F_{Rd} = Bemessungswert des Widerstandes, entsprechend Anlage 7

M_{Ed} = Bemessungswert der Einwirkung (Biegung)

Die rechnerische Einspannstelle liegt um das Maß des Nenndurchmessers des Bolzens hinter der Oberfläche des Betons.

M_{Rd} = Bemessungswert des Biege widerstandes, entsprechend Anlage 8

3.2.3 Verschiebungsverhalten

Unter Belastung in Höhe von $\frac{F_{Rd}}{1,4}$ ist für die Dübelgrößen M6 und M8 mit Verschiebungen von 0,1 mm und für die Dübelgröße M10 und M12 bis 0,4 mm zu rechnen. Bei Dauerbelastung ist mit einer Vergrößerung der Verschiebungen zu rechnen.

Bei Querlast in Höhe von $\frac{F_{Rd}}{1,4}$ ist für die Dübelgrößen M6 und M8 mit Verschiebungen bis 0,9 mm und für die Dübelgröße M10 und M12 bis 1,4 mm zu rechnen. Zusätzlich ist das vorhandene Lochspiel zwischen Dübel und Anbauteil zu berücksichtigen. Die Verschiebungen bei Schrägzug sind aus denen der zentrischen Zug- und Querlastanteile zusammzusetzen. Die Verschiebungen ergeben sich aus den angegebenen Richtwerten durch lineare Interpolation.

3.2.4 Befestigung mit Sechskantschrauben oder Gewindestange mit Sechskantmutter

Die Sechskantschraube oder der Gewindestange mit Sechskantmutter für den Dübel muss, sofern sie nicht vom Werk für den jeweiligen Anwendungsfall mitgeliefert wird, vom planenden Ingenieur hinsichtlich der Schraubenlänge unter Berücksichtigung der Dicke des anzuschließenden Bauteils, der erforderlichen Mindesteinschraubtiefe und der möglichen Toleranzen nach Anlage 3 festgelegt werden.

Die Sechskantschraube oder der Gewindestange mit Sechskantmutter muss den in Anlage 2 aufgeführten Angaben zum Werkstoff, Abmessungen und mechanische Eigenschaften entsprechen.

3.2.5 Brandschutz

Die Bemessungswerte des Widerstandes der Dübel für Verankerungen in Spannbeton-Hohldeckenplatten unter Brandbeanspruchung gelten für die Beanspruchungsrichtungen zentrischer Zug, Querlast und Schrägzug unter jedem Winkel (ohne Hebelarm). Sie sind in Abhängigkeit von der Spiegeldicke d_b der Spannbeton-Hohldeckenplatten auf Anlage 8 angegeben.

Für den Grenzzustand der Tragfähigkeit unter Brandbeanspruchung ist nachzuweisen, dass die folgende Gleichung eingehalten ist:

$$\text{Zug- und Querbeanspruchung} \quad F_{Ed} \leq F_{Rd,fi}$$

F_{Ed} = Bemessungswert der Einwirkung (Zug- und Querlast)

$F_{Rd,fi}$ = Bemessungswert des Brandwiderstandes, entsprechend Anlage 8

3.3 Ausführung

3.3.1 Allgemeines

Der Anwender der Bauart bzw. das bauausführende Unternehmen hat zur Bestätigung der Übereinstimmung der Bauart mit dieser allgemeinen Bauartgenehmigung eine Übereinstimmungserklärung gemäß §§ 16 a Abs. 5, 21 Abs. 2 MBO abzugeben.

3.3.2 Bohrlochherstellung

Das Bohrloch ist rechtwinklig zur Oberfläche des Verankerungsgrundes mit Hartmetallschlag- bzw. Hammerbohrern zu bohren. Die Mauerbohrer aus Hartmetall müssen den Angaben des Merkblattes des Deutschen Instituts für Bautechnik und des Fachverbandes Werkzeugindustrie e.V. über die "Kennwerte, Anforderungen und Prüfungen von Mauerbohrern mit Schneidköpfen aus Hartmetall, die zur Herstellung der Bohrlöcher von Dübelverankerungen verwendet werden" (Fassung Januar 2002) entsprechen. Die Einhaltung der Bohrerkenneiwerte ist entsprechend Abschnitt 5 des Merkblattes zu belegen. Bohrerinnendurchmesser und Schneidendurchmesser müssen den Werten nach Anlage 3 entsprechen.

3.3.3 Setzen des Dübels

Vor dem Setzen des Dübels ist die Spiegeldicke an der Setzstelle zu prüfen.

Unter Einhaltung der Abstände zu den Spannritzen (Anlage 4), kann der Dübel auch im Vollmaterial (Steg) oder auch bei Spiegeldicken > 50 mm gesetzt werden. Bei Verwendung von Schrauben muss dabei die maximale Schraubenlänge nach Tabelle 3 beachtet werden.

Die Montage des zu verankernden Dübels ist nach den gemäß Abschnitt 3.1 gefertigten Konstruktionszeichnungen und der Montageanweisung der Firma vorzunehmen. Vor dem Setzen des Dübels ist die genaue Lage der Spannglieder mit geeigneten Metallsuchgeräten festzustellen und an der Unterseite der Decke zu kennzeichnen. Wird der Dübel nicht mittig in die Hohlraumachse gesetzt, so muss der Abstand zwischen der Dübelachse und der Achse der Spannritzen mindestens 50 mm betragen (vgl. Anlage 4).

Der Dübel ist in das Bohrloch so einzuführen, dass die Sprezhülse bündig mit der Betonoberfläche abschließt.

Die Montage des Dübels muss mit einem überprüften Drehmomentenschlüssel vorgenommen werden. Die Drehmomente sind in Anlage 3 angegeben, sie müssen auf die Sechskantmutter der Gewindestange bzw. auf die Sechskantschraube aufgebracht werden. Der Dübel ist ordnungsgemäß verankert und darf nur belastet werden, wenn sich das vorgeschriebene Drehmoment aufbringen lässt.

Montierte Dübel können jederzeit nachgeprüft werden, das vorgeschriebene Drehmoment zum Verankern muss sich immer wieder aufbringen lassen.

3.3.4 Kontrolle der Ausführung

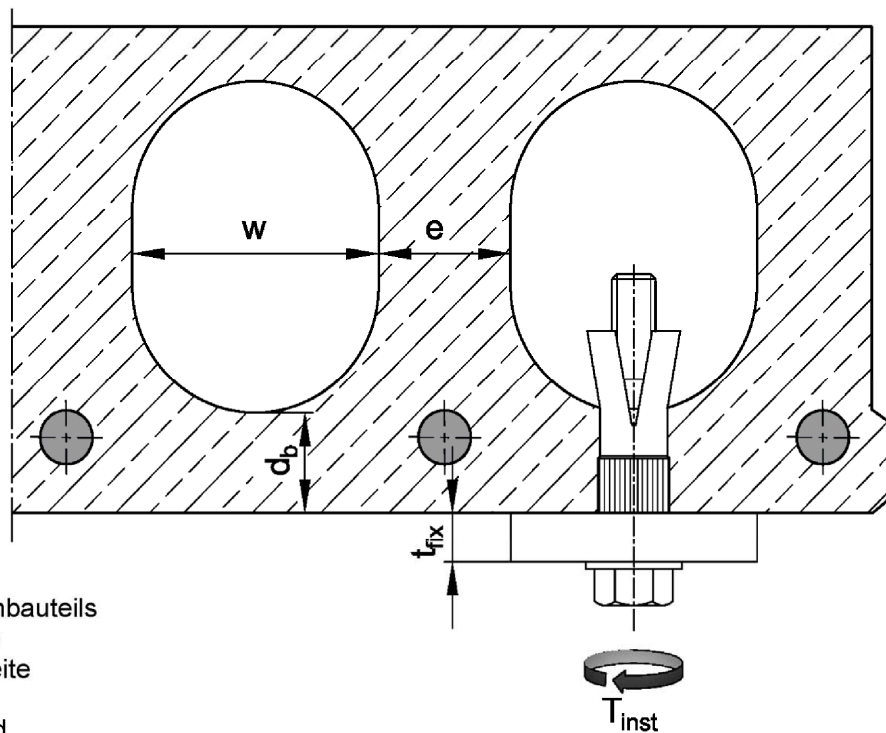
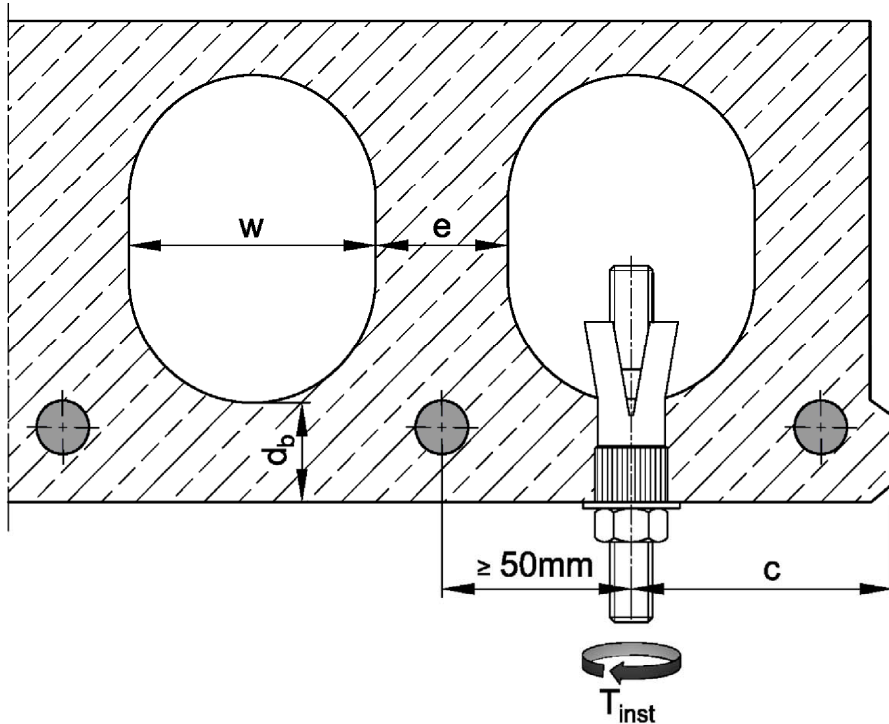
Bei der Herstellung von Verankerungen muss der mit der Verankerung von Dübeln betraute Unternehmer oder der von ihm beauftragte Bauleiter oder ein fachkundiger Vertreter des Bauleiters auf der Baustelle anwesend sein. Er hat für die ordnungsgemäße Ausführung der Arbeiten zu sorgen.

Während der Herstellung der Verankerungen sind Aufzeichnungen über den Nachweis der vorhandenen Betonfestigkeitsklasse und die ordnungsgemäße Montage der Dübel vom Bauleiter oder seinem Vertreter zu führen. Die Aufzeichnungen müssen während der Bauzeit auf der Baustelle bereitliegen und sind den mit der Kontrolle Beauftragten auf Verlangen vorzulegen. Sie sind ebenso wie die Lieferscheine nach Abschluss der Arbeiten mindestens 5 Jahre vom Unternehmer aufzubewahren.

Dipl.-Ing. Beatrix Wittstock
Referatsleiterin

Beglaubigt
Tempel

EASY Hohldeckenanker für die Verankerung in Spannbeton Hohldeckenplatten, deren Hohlraumbreite das 4,2-fache der Stegbreite nicht überschreitet ($w \leq 4,2 e$)



Legende:

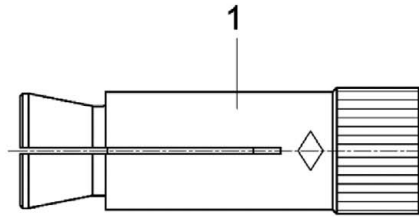
- t_{fix} = Dicke des Anbauteils
- d_b = Spiegeldicke
- w = Hohlraumbreite
- e = Stegbreite
- c = Randabstand
- T_{inst} = Montagedrehmoment

EASY für Verankerungen in Spannbeton-Hohldeckenplatten

Produkt und Anwendungsbereich

Anlage 1

Prägung:



Prägung: z.B. \diamond EY M8

\diamond Werkzeichen
EY Dübelkennung
M8 Gewindegröße

A4 zusätzliche Kennung für
nichtrostenden Stahl A4

Tabelle 1: Bezeichnungen und Werkstoffe

Teil	Bezeichnung	Stahl galvanisch verzinkt $\geq 5 \mu\text{m}$	nichtrostender Stahl A4 (Größe M10)
1	EASY	Stahl, galvanisch verzinkt	nichtrostender Stahl nach DIN EN 10088-1:2014-12, Korrosionsbeständigkeitsklasse CRC III

Anforderungen an die Schraube bzw. an die Gewindestange und Mutter entsprechend

Planungsunterlagen:

Die Länge der Schraube bzw. der Gewindestange muss in Abhängigkeit von der Anbauteildicke t_{fix} festgelegt werden.

Stahl, galvanisch verzinkt

- Sechskantschraube und handelsübliche Gewindestange:
M6: Festigkeitsklasse 8.8 nach DIN EN ISO 898-1:2013-05
M8 – M12: Festigkeitsklasse ≥ 5.8 nach DIN EN ISO 898-1:2013-05
- Sechskantmutter:
M6: Festigkeitsklasse 8 nach DIN EN ISO 898-2:2023-02
M8 – M12: Festigkeitsklasse ≥ 5 nach DIN EN ISO 898-2: 2023-02

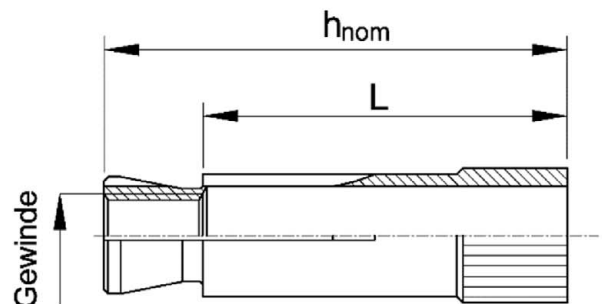
Nichtrostender Stahl A4

- nach DIN EN 10088-1:2014-12
Festigkeitsklasse ≥ 70 nach DIN EN ISO 3506-1:2020-08 bzw. DIN EN ISO 3506-2:2020-08

Tabelle 2: Abmessungen

Dübelgröße	Gewinde	h_{nom} [mm]	L [mm]
M6	M6	40	30
M8	M8	45	35
M10	M10	53 (51) ¹⁾	40
M12	M12	58	45

¹⁾ Wert in Klammern für Ausführung A4



EASY für Verankerungen in Spannbeton-Hohldeckenplatten

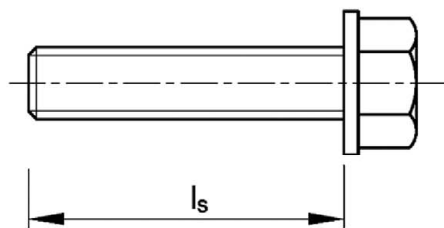
**Bezeichnungen und Werkstoffe,
Abmessungen**

Anlage 2

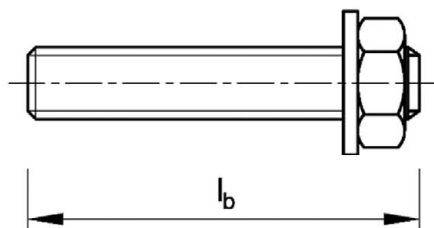
Tabelle 3: Montagekennwerte

Dübelgröße		M6	M8	M10	M12
Bohrerinnendurchmesser	d_0 [mm]	10	12	16	18
Bohrerschneidendurchmesser	d_{cut} [mm]	10,45	12,5	16,5	18,5
Bohrlochtiefe	$h_0 \geq$ [mm]	50	55	60	70
Länge der Schraube (in Vollmaterial)	min l_s [mm]	$42 + t_{fix}$	$47 + t_{fix}$	$55 + t_{fix}$	$61 + t_{fix}$
	max l_s [mm]	$50 + t_{fix}$	$55 + t_{fix}$	$60 + t_{fix}$	$70 + t_{fix}$
Länge der Gewindestange	min l_b [mm]	$47 + t_{fix}$	$53 + t_{fix}$	$63 + t_{fix}$	$71 + t_{fix}$
Montagedrehmoment	T_{inst} [Nm]	10	20	30	40
Durchgangsloch im anzuschließenden Bauteil	$d_f \leq$ [mm]	7	9	12	14

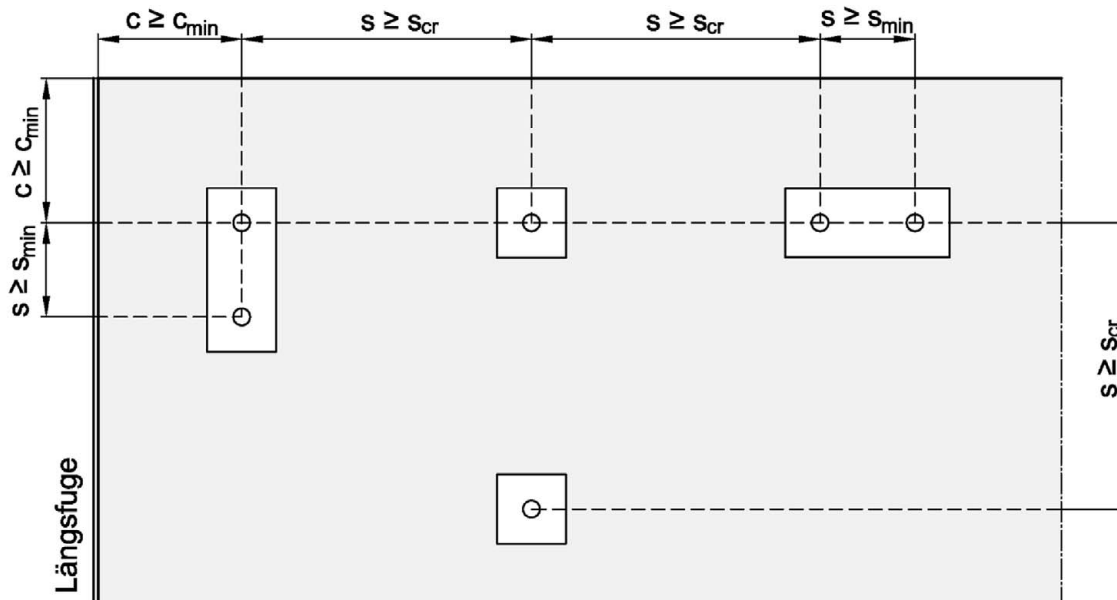
Länge der Schraube



Länge der Gewindestange



Abstände zwischen Dübeln / Einzeldübeln

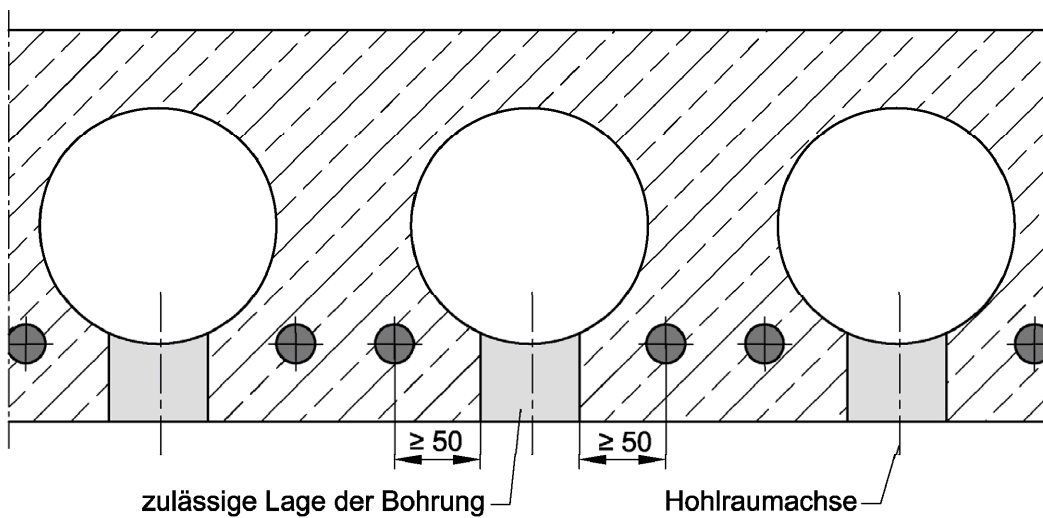
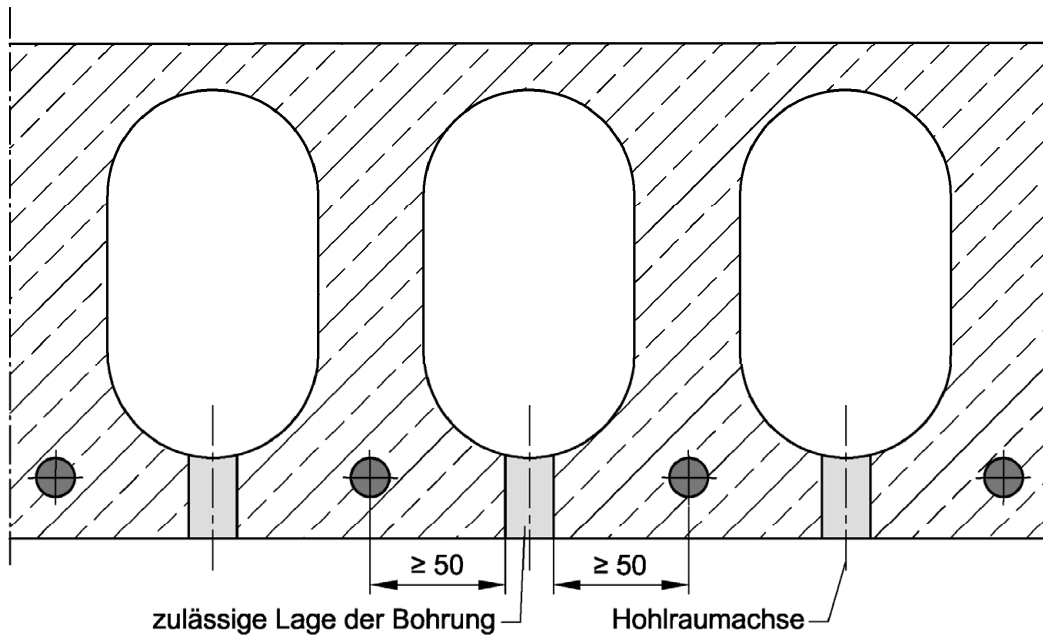


EASY für Verankerungen in Spannbeton-Hohldeckenplatten

**Montagekennwerte,
Abstände zwischen Dübeln / Einzeldübeln**

Anlage 3

Zulässige Lage der Bohrungen



Wird der Dübel nicht mittig in die Hohlraumachse gesetzt, so muss der Abstand zwischen der Dübelachse und der Achse der Spannleiste mindestens 50 mm betragen, entsprechend der o.g. Darstellung. Der Dübel kann sowohl im Vollmaterial der Hohlplatte, als auch von oben in die Hohlplatte eingebaut werden.

EASY für Verankerungen in Spannbeton-Hohldeckenplatten

Mindestabstand zur Spannbewehrung

Anlage 4

Montageanweisung für Dübel aus verzinktem Stahl

	Setzen in der Hohlkammer	Setzen im Vollmaterial
1		
2		
3	Verwendung mit Gewindestange	
3	Verwendung mit Schraube	

EASY für Verankerungen in Spannbeton-Hohldeckenplatten

Montageanweisung für Dübel aus verzinktem Stahl

Anlage 5

Montageanweisung für Dübel aus nichtrostendem Stahl A4

	Setzen in der Hohlkammer	Setzen im Vollmaterial
1		
2		
Verwendung mit Gewindestange		
3		
	Verwendung mit Schraube	

EASY für Verankerungen in Spannbeton-Hohldeckenplatten

Montageanweisung für Dübel aus nichtrostendem Stahl A4

Anlage 6

Tabelle 4: Bemessungswert des Widerstandes und Abstände der Dübel unter zentrischem Zug, Querlast und Schrägzug unter jedem Winkel in Spannbeton-Hohlplatten der Festigkeitsklasse $\geq C45/55$

	Spiegeldicke d_b [mm] \geq			Dübelgröße			
				M6	M8	M10	M12
Einzeldübel							
Achsabstand zwischen Einzeldübeln	25 / 30 / 40 / 50	$s_{cr} \geq$	[mm]	300			
Bemessungswiderstand ¹⁾ bei s_{cr} und c_{cr}	25	F_{Rd}	[kN]	1,0	1,0	1,3	1,4
	30			1,3	1,3	1,7	1,7
	40			2,8	2,8	4,2	4,2
	50			4,1	5,0	5,0	6,0
Randabstand	25 / 30 / 40 / 50	$c_{cr} \geq$	[mm]	150			
Bemessungswiderstand ¹⁾ bei s_{cr} und c_{min}	25	F_{Rd}	[kN]	0,5	0,5	1,1	1,1
	30			1,1	1,1	1,4	1,4
	40			2,5	2,5	3,8	3,8
	50			3,4	4,2	4,2	5,0
minimaler Randabstand	25 / 30 / 40 / 50	$c_{min} \geq$	[mm]	100			
Dübelpaar ²⁾							
Achsabstand zwischen Dübelpaaren	25 / 30 / 40 / 50	$s_{cr} \geq$	[mm]	300			
minimaler Achsabstand	25	$s_{min} \geq$	[mm]	70			
	30			80			
	40			100			
	50			100			
Bemessungswiderstand / Dübelpaar ¹⁾ bei s_{min} und c_{cr}	25	F_{Rd}	[kN]	1,0	1,0	1,5	1,7
	30			2,0	2,0	2,8	2,8
	40			3,6	3,6	6,7	6,7
	50			5,5	6,7	6,7	8,0
Randabstand	25 / 30 / 40 / 50	$c_{cr} \geq$	[mm]	150			
Bemessungswiderstand / Dübelpaar ¹⁾ bei s_{min} und c_{min}	25	F_{Rd}	[kN]	0,5	0,5	1,3	1,4
	30			1,75	1,75	2,5	2,5
	40			3,3	3,3	6,0	6,0
	50			4,5	5,6	6,0	6,7
minimaler Randabstand	25 / 30 / 40 / 50	$c_{min} \geq$	[mm]	100			

¹⁾ Für Randabstände $c_{min} \leq c \leq c_{cr}$ dürfen die Bemessungswerte des Widerstandes durch lineare Interpolation ermittelt werden.

²⁾ Die Bemessungswerte des Widerstandes gelten für das Dübelpaar. Die Bemessungswerte des Widerstandes für den höchstbelasteten Dübel darf die für Einzeldübel angegebenen Werte nicht überschreiten. Bei Dübeln eines Dübelpaares mit Achsabständen $s_{min} \leq s \leq s_{cr}$ darf der Bemessungswert des Widerstandes linear interpoliert werden, wobei für den Grenzwert bei $s = s_{cr}$ für das Dübelpaar bei zentrischer Lasteinleitung das Zweifache des Bemessungswertes des Widerstandes für Einzeldübel angesetzt werden darf.

EASY für Verankerungen in Spannbeton-Hohldeckenplatten

Bemessungswerte des Widerstandes, Abstände

Anlage 7

Tabelle 5: Bemessungswert des Biege widerstandes für Verankerungen in Spannbeton-Hohlplatten der Festigkeitsklasse \geq C45/55

			Festigkeits- klasse ¹⁾	Dübelgröße			
				M6	M8	M10	M12
Verzinkt							
Bemessungswert des Biege widerstandes	M_{Rd}	[Nm]	5.8	-	15,0	30,0	52,4
			8.8	6,2	23,9	47,9	83,7
Edelstahl A4							
Bemessungswert des Biege widerstandes	M_{Rd}	[Nm]	\geq A4 70	-	-	33,6	-

¹⁾ Anforderungen an die verwendeten Befestigungsmittel (Schraube oder Gewindestange und Mutter) siehe auch Anlage 2

Tabelle 6: Bemessungswert des Widerstandes [kN] unter Brandbeanspruchung für zentrischen Zug, Querlast und Schrägzug unter jedem Winkel in Spannbeton-Hohlplatten der Festigkeitsklasse \geq C45/55

Größe			M6	M8	M10	M12	
Einzeldübel							
Spiegeldicke	$d_b \geq$	[mm]	30	30	30	40	
Feuerwider- stand	R30	$F_{Rd,fi}$	[kN]	0,7	0,9	1,2	1,5
	R60	$F_{Rd,fi}$	[kN]	0,6	0,9	1,2	1,5
	R90	$F_{Rd,fi}$	[kN]	0,4	0,7	1,2	1,2
	R120	$F_{Rd,fi}$	[kN]	0,2	0,4	1,0	1,0
Achsabstand	$s_{cr} \geq$	[mm]	300				
Randabstand	$c_{cr} \geq$ $c_{min} \geq$	[mm]	150				
Dübelpaar							
Spiegeldicke	$d_b \geq$	[mm]	30	30	30	40	
Feuerwider- stand	R30	$F_{Rd,fi}$	[kN]	1,25	1,25	1,8	3,0
	R60	$F_{Rd,fi}$	[kN]	1,25	1,25	1,8	3,0
	R90	$F_{Rd,fi}$	[kN]	0,8	1,25	1,8	2,4
	R120	$F_{Rd,fi}$	[kN]	0,4	0,8	1,8	2,0
Achs- und Randabstand	Die minimalen Achs- und Randabstände nach Tabelle 4, Anlage 7 sind abhängig von der Spiegeldicke einzuhalten.						

Der Randabstand muss \geq 300 mm betragen, wenn die Brandbeanspruchung von mehr als einer Seite angreift.

EASY für Verankerungen in Spannbeton-Hohldeckenplatten

**Bemessungswerte des Biege widerstandes
Bemessungswerte des Widerstandes unter Brandbeanspruchung**

Anlage 8